

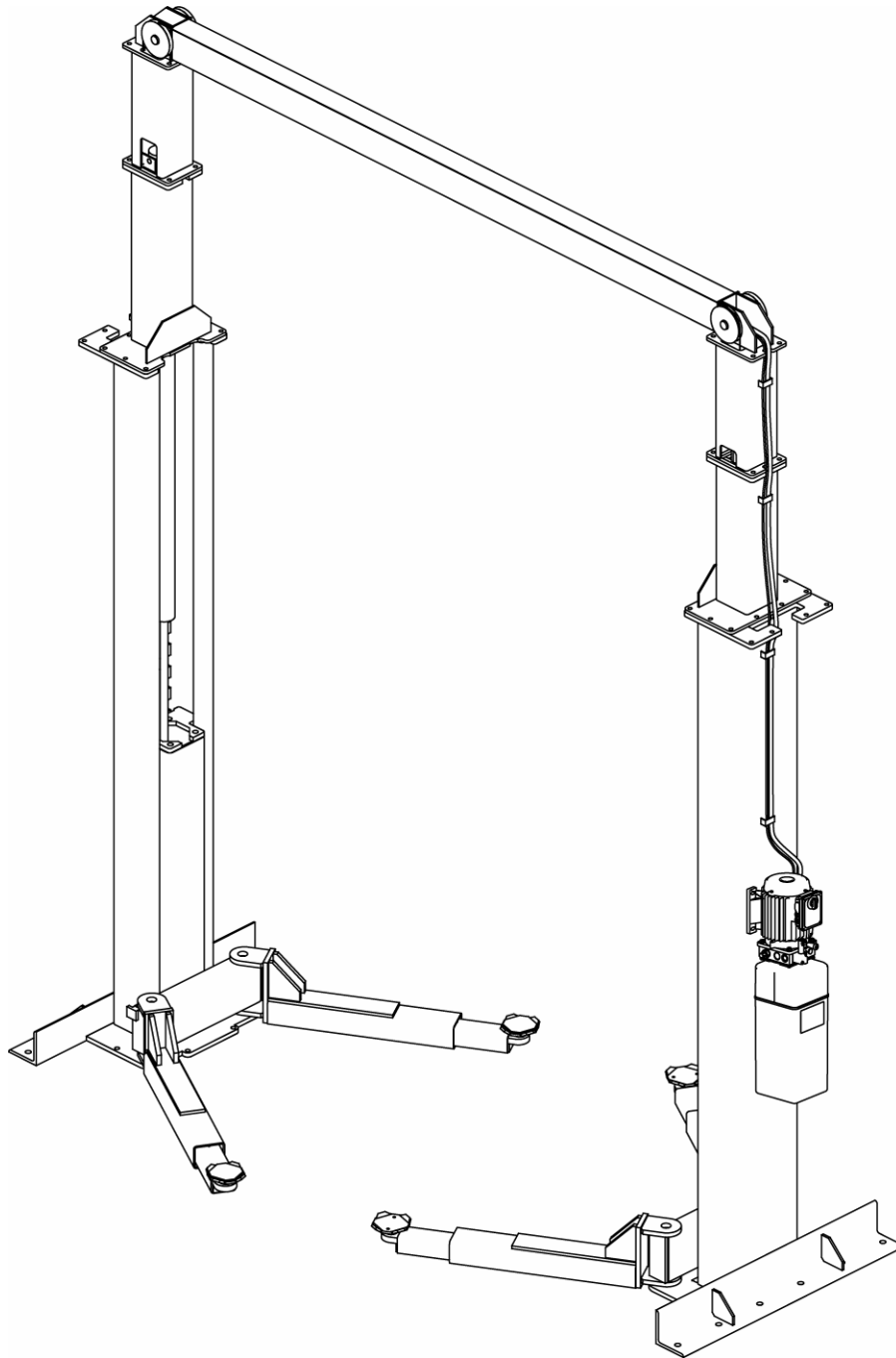
TWO POST LIFT INSTALLATION AND OWNERS MANUAL

DP15, DP15-2

Capacity 15,000 lbs.

April 2006

I MAN 994301



1. TABLE OF CONTENTS

| | |
|--|----|
| 2. Important Information | 2 |
| 3. Section 1 Owner's Manual | |
| Safety Instructions | 3 |
| Monthly Maintenance | 6 |
| Troubleshooting | 6 |
| 4. Cylinder Replacement | 8 |
| 5. Section 2 Installation Instructions | |
| 6. Tools Required for Installation | 9 |
| Procedure | 9 |
| 7. Section 3 Parts Breakdown | |
| 8. Detailed Views & Parts List | 24 |
| 9. | |

10. Important Information:

1. **Read this manual thoroughly** before installing, operating, or maintaining this lift.
2. This lift is designed for indoor use only, and should not be installed in a pit or depression.
3. The floor on which the lift is to be installed must be 6" inch minimum thickness concrete, with a minimum compressive strength of 3000 psi, and reinforced with steel bar.
4. The lifts require 208-230V, 60 hz, single phase, 20 amp AC electrical service.
5. This lift has a minimum ceiling height requirement as described in the Installation Instructions section of this manual.
6. **Failure by the owner to provide the recommended shelter, mounting surface, electrical supply, and ceiling height could result in unsatisfactory lift performance, property damage, or personal injury.**

11. Section 1

12. Owner's Manual

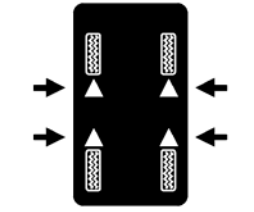
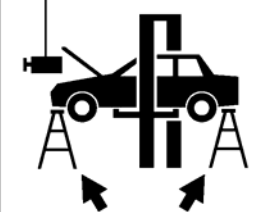
13. Safety Instructions:



1. **Do not raise a vehicle on the lift until the installation is completed as described in this manual.**
2. **Anyone who will be in the vicinity of the lift** when it is in use should read and refer to the following publications supplied with this lift:
 - “INSTALLATION AND OWNERS MANUAL”, I MAN 994301
 - “LIFTING IT RIGHT”, ALI SM93-1.
 - “AUTOMOTIVE LIFT SAFETY TIPS”, ALI-ST90.
 - “VEHICLE LIFTING POINTS FOR FRAME ENGAGING LIFTS”, ALI/LP-GUIDE.
 - “SAFETY REQUIREMENTS FOR OPERATION, INSPECTION, AND MAINTENANCE”, ANSI/ALI ALOIM-1994.
3. **Technicians** should be trained to use and care for the lift by familiarizing themselves with the publications listed above. The lift should never be operated by an untrained person.
4. **Always position the arms and adapters properly out of the way** before pulling the vehicle into, or out of the bay. Failure to do so could damage the vehicle and/or the lift.
5. **Do not overload the lift.** The capacity of the lift is shown on cover of this document.
6. **Positioning the vehicle** is very important. Only trained technicians should position the vehicle on the lift. Never allow anyone to stand in the path of the vehicle as it is being positioned.
7. **Position the arms to the vehicle manufacturer's recommended pickup points.** Raise the lift until contact is made with the vehicle. Make sure that the arms have properly engaged the vehicle before raising the lift to a working height.
8. **Keep everyone clear of the lift when the lift is moving, the locking mechanism is disengaged, or the vehicle is in danger of falling.**
9. **Unauthorized personnel** should never be in the shop area when the lift is in use.
10. **Inspect the lift daily.** The lift should never be operated if it has damaged components, or is malfunctioning. Only qualified technicians should service the lift. Replace damaged components with manufacturer's parts, or equivalent.
11. **Keep the area around the lift clear** of obstacles.
12. **Never** override the self-returning lift controls.
13. **Use safety stands** when removing or installing heavy vehicle components.
14. **Avoid excessive rocking** of the vehicle when it is on the lift.
15. **To reduce the risk of personal injury**, keep hair, loose clothing, fingers, and all body parts away from moving parts.

16. **To reduce the risk of electric shock**, do not use the lift when wet, do not expose the lift to rain.
17. **To reduce the risk of fire**, do not operate equipment in the vicinity of open containers of flammable liquids (gasoline).
18. **Use the lift only as described in this manual**, use only manufacturer's recommended attachments.
19. Unusual vehicles, such as limousines, RV's, and long wheelbase vehicles, may not be suitable for lifting on this equipment. If necessary, consult with the manufacturer or the manufacturer's representative.
20. The troubleshooting and maintenance procedures described in this manual can be done by the lift's owner/employer. Any other procedure should only be performed by trained lift service personnel. These restricted procedures include, but are not limited to, the following: cylinder replacement, carriage and safety latch replacement, leg replacement, overhead structure replacement.
21. **Anyone who will be in the vicinity of the lift** when it is in use should familiarize themselves with following Caution, Warning, and Safety related decals supplied with this lift, and replace them if they are illegible or missing:



| | |
|---|---|
| <p>⚠ CAUTION</p>  <p>Lift to be used by trained operator only.</p> <p>©</p> | <p>⚠ CAUTION</p>  <p>Authorized personnel only in lift area.</p> <p>©</p> |
|---|---|

| | |
|---|--|
| <p>⚠ CAUTION</p>  <p>Use vehicle manufacturer's lift points.</p> <p>©</p> | <p>⚠ CAUTION</p>  <p>Always use safety stands when removing or installing heavy components.</p> <p>©</p> |
|---|--|

| | |
|---|--|
| <p>⚠ CAUTION</p>  <p>Use height extenders when necessary to ensure good contact.</p> <p>©</p> | <p>⚠ CAUTION</p>  <p>Auxiliary adapters may reduce load capacity.</p> <p>©</p> |
|---|--|

The messages and pictographs shown are generic in nature and are meant to generally represent hazards common to all automotive lifts regardless of specific style.

Funding for the development and validation of these labels was provided by the Automotive Lift Institute, PO Box 33116 Indialantic, FL. 32903-3116.

They are protected by copyright. Set of labels may be obtained from ALI or its member companies.

© 1992 by ALI, Inc. ALI/WL101c

| | |
|---|--|
| <p>⚠ WARNING</p>  <p>Clear area if vehicle is in danger of falling.</p> <p>©</p> | <p>⚠ WARNING</p>  <p>Position vehicle with center of gravity midway between adapters.</p> <p>©</p> |
|---|--|

| | |
|---|---|
| <p>⚠ WARNING</p>  <p>Remain clear of lift when raising or lowering vehicle.</p> <p>©</p> | <p>⚠ WARNING</p>  <p>Avoid excessive rocking of vehicle while on lift.</p> <p>©</p> |
|---|---|

| | |
|--|---|
| <p>⚠ WARNING</p>  <p>Do not override self-closing lift controls.</p> <p>©</p> | <p>⚠ WARNING</p>  <p>Keep feet clear of lift while lowering.</p> <p>©</p> |
|--|---|

The messages and pictographs shown are generic in nature and are meant to generally represent hazards common to all automotive lifts regardless of specific style.

Funding for the development and validation of these labels was provided by the Automotive Lift Institute, PO Box 33116 Indialantic, FL. 32903-3116.

They are protected by copyright. Set of labels may be obtained from ALI or its member companies.

© 1992 by ALI, Inc. ALI/WL101w

14. Monthly Maintenance:

1. Lubricate the four inside corners of the legs with heavy duty bearing grease.
2. With lift lowered check the hydraulic fluid level. If necessary add oil as described in the Installation Instruction section of this manual
3. Check carriage latch synching: Latches should click at the same time. If necessary adjust cables as described in the Installation Instruction section of this manual.
4. Check tightness of all bolts.
5. Check anchor bolt tightness. If the anchor bolts are loose, they should be re-torqued to 90ft/lbs.

Check the nuts for tightness every week for the first month, and every month afterwards.

6. Replace worn or broken parts only with lift manufacturer's parts, or their equivalent.

Troubleshooting:

7. The power unit does not run:
 - Check electrical supply breaker, or fuse.
 - Check for activation of the travel limit switch by a tall vehicle.
 - Check micro-switch and connections in motor control box.
 - Check voltage to the motor.
 - Check micro-switch and connections in the overhead switch box.
8. The power unit runs but does not raise the lift:
 - Check the oil level.
 - Check that the lowering valve is not stuck open.
 - Check the connections and components on the suction side of the pump.
9. The power unit raises the lift empty, but will not lift a vehicle.
 - Make sure the vehicle is not above the rated capacity of the lift.
 - Make sure the vehicle is positioned properly.
 - Clean the lowering valve by running the power unit for 30 seconds while holding the lowering valve open.
 - Check the motor voltage.
10. Lift drifts down.
 - Check for external leaks.
 - Clean the lowering valve by running the power unit for 30 seconds while holding the lowering valve open. Repeat this procedure three times.
 - Clean the check valve seat.
11. Slow Lifting and/or oil foaming up.
 - Check that oil used meets the specification in the Installation Instruction section of this manual.
 - Tighten all suction line fittings.

12. Anchors continually work loose

If holes were drilled too large relocate the lift per the Installation Instruction section of this manual.

Floor is not sufficient to provide the necessary resistance, remove an area of concrete and repour as described in the Installation Instruction section of this manual.

13. Lift does not raise and lower smoothly.

Reposition vehicle for a more even weight distribution.

Check the four inside corners of the two legs for roughness. Any rust or burrs must be removed with 120 grit emery cloth.

Lubricate the leg corners with heavy duty bearing grease.

Use a level to check the legs for vertical alignment both side to side and front to back.

Shim the legs as necessary per the Installation Instruction section of this manual.

Check the oil level.

Make sure there is no air in the hydraulic lines, bleed system as described in the Installation Instruction section of this manual.

14. The lift will only lower approximately 1", then stops.

Check that the safety latch pull rods are disengaged.

If after disengagement of the pull rods, one of them moves back up as the lift is lowered, the pull rod is out of adjustment and is rubbing on the leg. Adjust the rod to clear the leg. Push down on the first bend of the rod just inside the leg.

Bend the rod slightly to allow it to move freely between the leg and the carriage.

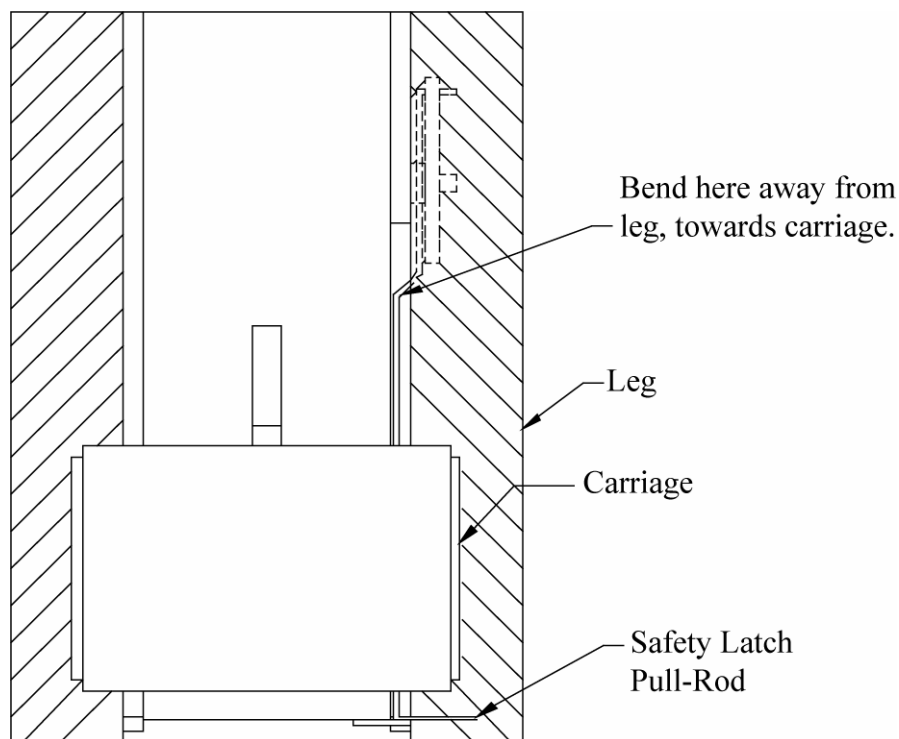


Figure 1

15. At full rise the latch will not disengage and the lift cannot be lowered.
If the equalization cables are out of adjustment the carriages are out of sync, and when the lift is at full rise one of the safety latches may not have the clearance to disengage and allow the lift to lower.
To lower the lift
Raise the lift to full height.
Push In both safety latch pull rods to **engage** latches.
Use a hydraulic jack and a length of pipe to raise the carriage with the lock which is sticking enough to disengage the safety latch. Pull the latch rod on that carriage only.
Remove the jack and pipe.
Pull the latch rod on the other carriage to disengage the latch.
Lower the lift and remove the vehicle.
Readjust the cables as described in the Installation Instruction section of this manual.
16. Power Unit will not stop running
Switch is damaged, **turn off power to the lift** and replace switch.

15. Cylinder Replacement:

1. This task is to be performed by trained lift service personnel only.
2. Raise the lift carriages a few inches.
3. Place a 2" spacer under each carriage.
4. Lower carriages onto the spacers.
5. **Do not hold the cylinder rod with anything that will damage the finish. Cylinder leaks caused by damaged rods are not covered by warranty.** Hold the 1" full nut and remove the jam nut.
6. Remove the full nut.
7. Remove the pressure hose from the bottom fitting of the cylinder. Mark the inlet position on carriage.
8. Remove the return hose from the top of the cylinder.
9. Pull the rod from the carriage bottom plate.
10. Push the rod into the cylinder to prevent damage to the rod during handling.
11. Remove the cylinder from the upright by taking out the 3/4" x 5 grade 8 bolt at the top of the cylinder.
12. Reverse the procedure to replace the cylinder, being careful to position the pressure hose inlet to achieve proper orientation.
13. Bleed hydraulic system as described in the Installation Instruction section of this manual.

16. Section 2

17. Installation Instructions

18. Tools required for installation:

Concrete hammer drill with 3/4" bit
11/16" open end wrench
3/4" open end wrench
Torque wrench
15/16" deep socket or wrench
1-1/8" socket
13/16" open end wrench
Level (18" minimum length)
Vise grips
Tape measure
Funnel
Hoist or Forklift (optional)
Two 12' step ladders
1/4" drive ratchet with 5/16" socket

Procedure:

1. Read this manual thoroughly before installing, operating, or maintaining this lift.
2. **Site Evaluation and Lift Location:**

Always use an architect's plan when provided. Before unpacking the lift entirely, determine if the site is adequate for the lift model being installed see figures 2 & 3 for typical bay layout and ceiling height requirements.

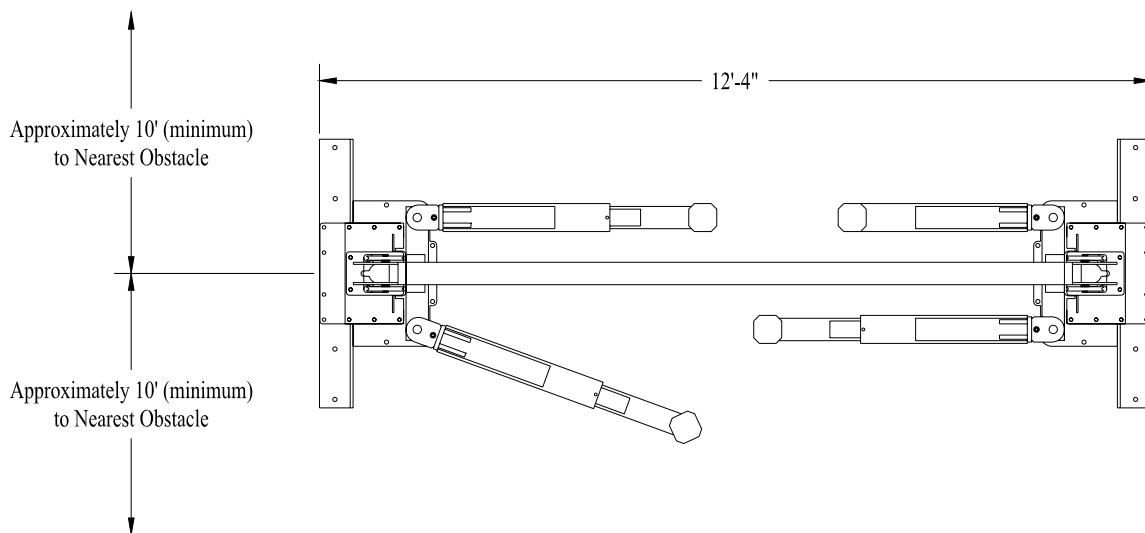


Figure 2

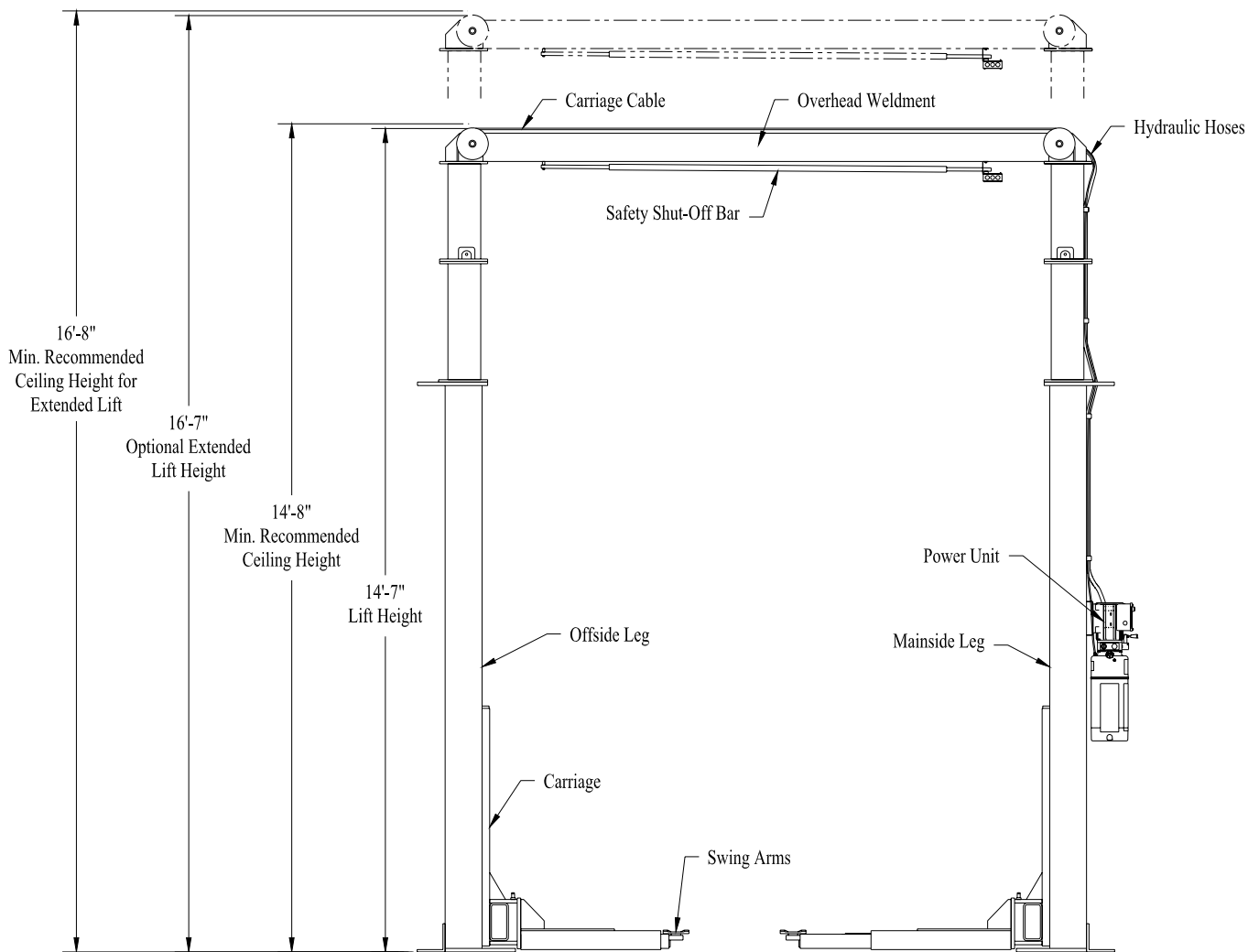


Figure 3

- A. Note the mainside leg has a mounting bracket on its back for the power unit. The mainside leg is typically located on the passenger side of the lift.
 - B. Layout and mark the floor for the leg placement locations.
3. **Unpack the lift.** Remove the swing arms, bolt box, power unit box, and overhead beam. **Save all packing hardware, as these components are necessary to complete the installation.**
 - A. Remove the ½" bolts from the packing bracket which holds the two legs together.
 - B. Remove the top leg. Do not stand legs up, instead lay the legs flat on their backs on the floor.

4. Mount the Uprights and, if purchased, Height Extensions to the legs using the $\frac{1}{2}$ NC x $2\frac{1}{2}$ " bolts, nuts, and washers as shown in figure 4.

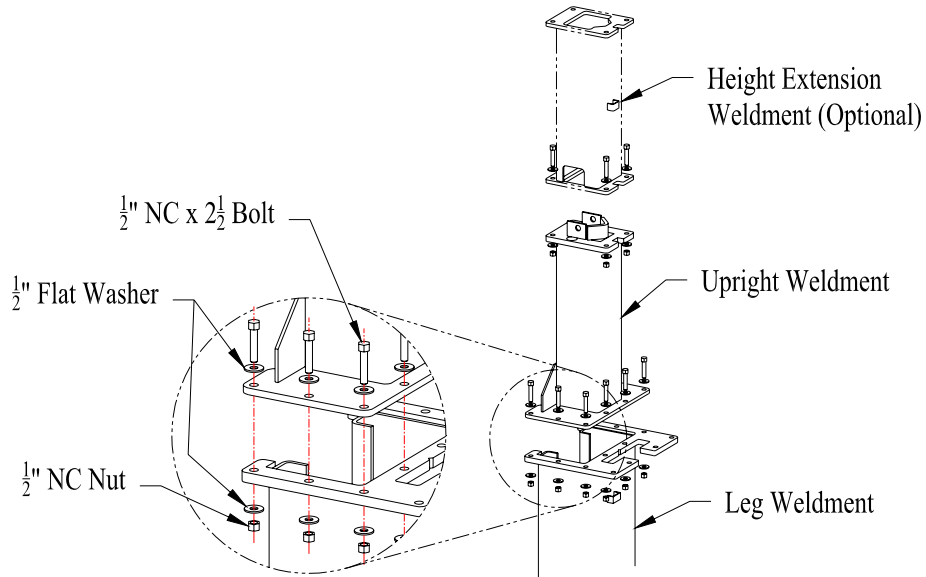
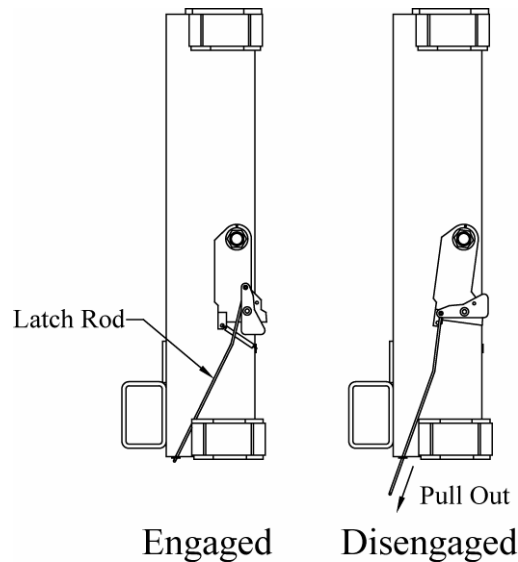


Figure 4

5. **Carriage Placement.** Disengage the latch by pulling out the latch rod at bottom of one carriage, figure 5. Slide the carriage to the leg's baseplate. Engage the latch by pushing the latch rod in. Slide the carriage up until the first "click" is heard. Repeat the process for the other carriage.



Safety Lock

Figure 5

6. Install hydraulic cylinders, fittings, and hoses

- A. **Warning:** When attaching hydraulic fittings with pipe threads to the cylinders use Teflon tape. **DO NOT start the Teflon tape closer than 1/8" from the end of the fitting.** Failure to comply may cause damage to the hydraulic system.
- B. **Warning:** When making tightening connections with flared (JIC) fittings, always follow the tightening instructions. Failure to follow these instructions may result in cracked fittings and / or leaks.

Use the proper size wrench,

The nut portion of the fitting is the only part that should turn during tightening. The flare seat **MUST NOT** turn.

Screw the fittings together hand tight.

Use the proper size wrench to rotate the nut portion of the fitting 2-1/2 hex flats.

Back the fitting off one full turn.

Again, tighten the fitting hand tight, then rotate the nut portion of the fitting 2-1/2 hex flats.

- C. Remove the plugs from each port on the cylinders.
- D. Connect a male pipe thread to male JIC elbow to the port near the rod end of each cylinder. The fittings should face away from the leg's baseplate.
- E. Connect the shortest hydraulic hose to the elbow on the cylinder to be used in the mainside leg. This connection should be hand-tight only. The mainside leg is identifiable by the power unit bracket and hose guides welded to it.
- F. Connect the longest hose to the elbow attached to the cylinder to be used in the offside leg, again hand tight.
- G. Connect a male pipe thread to female pipe thread bushing to the port on the cap end of each cylinder.
- H. Connect the 1/4" airline tee to the bushing on the mainside leg cylinder. The side connection of the tee should face one of the openings in the upright.
- I. Connect the other 1/4" airline fitting to the bushing on the capped end of the cylinder.
- J. Install the cylinders in the legs by attaching them to the Uprights with the 3/4" x 5" Grade 8 bolts and nuts, figure 6. The cylinder ports should be positioned pointing towards the center of the lift.

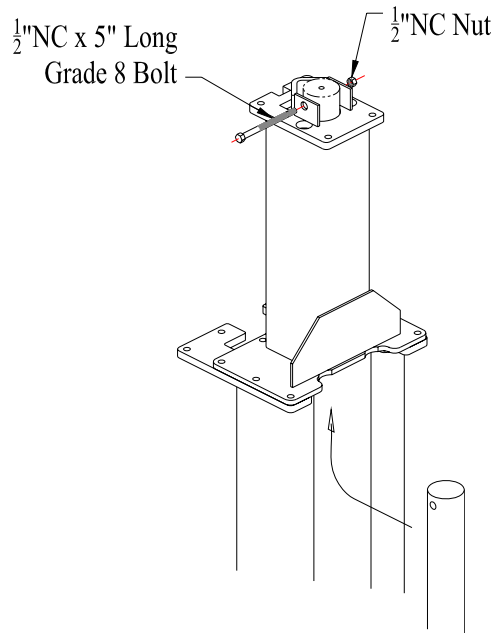


Figure 6

- K. Taking care not to damage the threads, pull the cylinder rod down into the mounting hole at the base of one of the carriages. Make sure the snap ring on the cylinder rod is in the groove. Pull the rod through the hole until the snap ring contacts the carriage plate. Attach the full nut to the rod and tighten until the rod turns. Hold the full nut with a wrench and tighten a jam nut against it. Repeat for the other cylinder.

**Do not hold the cylinder rod in a way that could damage the finish.
Cylinder leaks caused by damaged rods are not covered by warranty.**

7. Leg positioning and anchoring

- A. **Raise the Mainside leg only** and position it where it is to be secured.
- B. The anchor bolts must be installed at least 5-11/16" from any edge or seam in the concrete
- C. The concrete must be at least 6" thick with a compression strength of 3,000 psi.
- D. Using the leg as a template, drill the eight anchor bolt holes for the **Mainside Leg Only!!**

Use a hammer drill with a Carbide tip, 3/4" diameter, solid drill bit. The bit tip diameter should be to ANSI Standard B95.12-1977. (.775" to .787").

Keep the drill perpendicular to the floor while drilling.

Let the drill do the work. Do not apply excessive pressure.

Lift the drill up and down to remove dust and reduce binding.

Drill the hole completely through the slab.

Clean the dust from the hole.

- E. Assemble the washers and nuts onto the anchor bolts. Thread the nuts onto the anchor bolts where the tops of the nuts are just above the top of the bolts, figure 7. Using a hammer, *carefully* tap the anchor bolts into the concrete until the washer rests against the baseplate. Do not damage the nuts or threads.

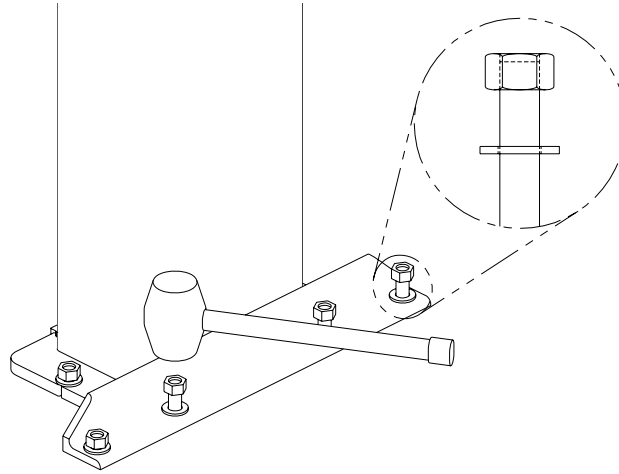


Figure 7

- F. Using a level, plumb the mainside leg both side to side and front to back. Shim the leg as necessary next to and on both sides of the anchor bolts. If more than 1/2" of shimming is required, **do not** use the anchors and small shims provided with the lift. Use longer anchors and fabricate larger shims from steel flat, 1/4" or 1/2" thick by 2", or more, wide.
- G. Once the leg is plumb tighten the anchor bolts to 150 ft-lbs. **Do not** use an impact wrench on anchor bolts.

If after tightening the anchor supplied with the lift extends more than 2-1/4" above the floor the anchor does not have enough embedment.

If an anchor will not reach 150 ft-lbs or does not have enough embedment or adequate spacing cannot be achieved, replace the concrete under the leg with a 5' X 5' X 6" thick pad of 3,000 psi concrete keyed under the existing floor. Let the concrete cure before reinstalling the lift.

- H. Recheck the leg's plumbness after tightening the anchor bolts. Add shims if necessary.
- I. Raise the offside leg and position it where it is to be located. **Do not drill holes for anchors.**

8. Overhead assembly

- A. Using a 1/4" drive ratchet and 5/16" socket, connect two #10-18 X 1/2 self-tapping screws through the holes in the overhead switch assembly into the overhead beam as shown in figure 8.

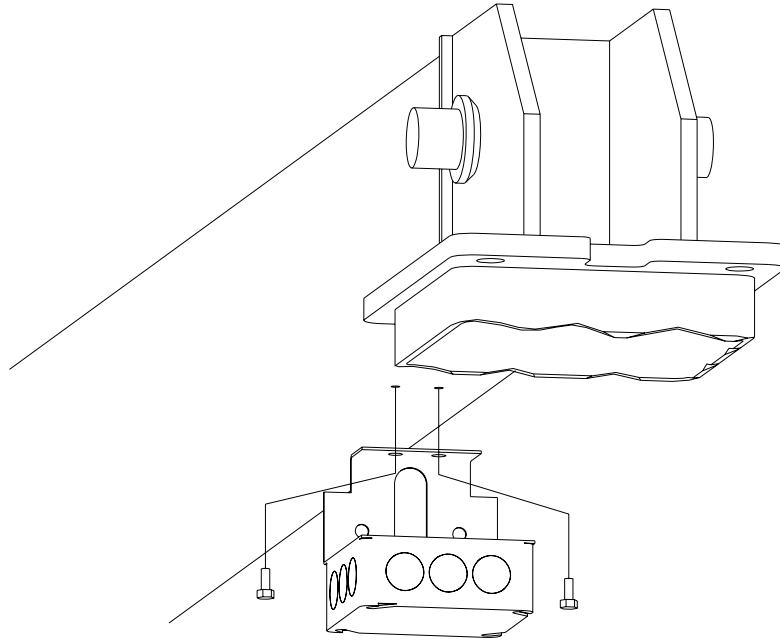


Figure 8

- B. Slide the end of the padded switchbar without a hole in it through the slot in the overhead switch assembly. Connect the padded switchbar to the overhead beam using a #10-18 X 1-3/4 self-tapping screw and spacer, figure 9.

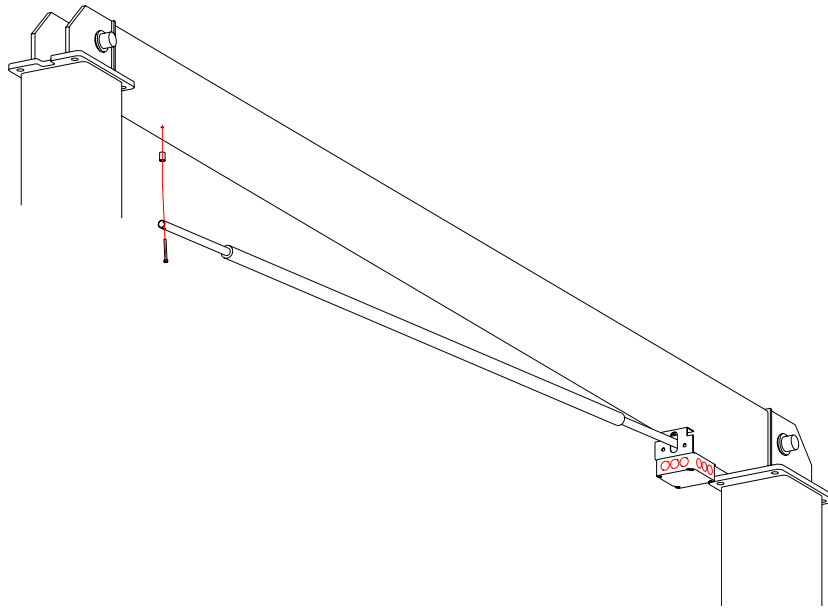


Figure 9

C. Attach the overhead beam to the uprights.

Raise the overhead beam and secure it to the top of the uprights using eight 1/2 x 2-1/2 bolts, figure 10.

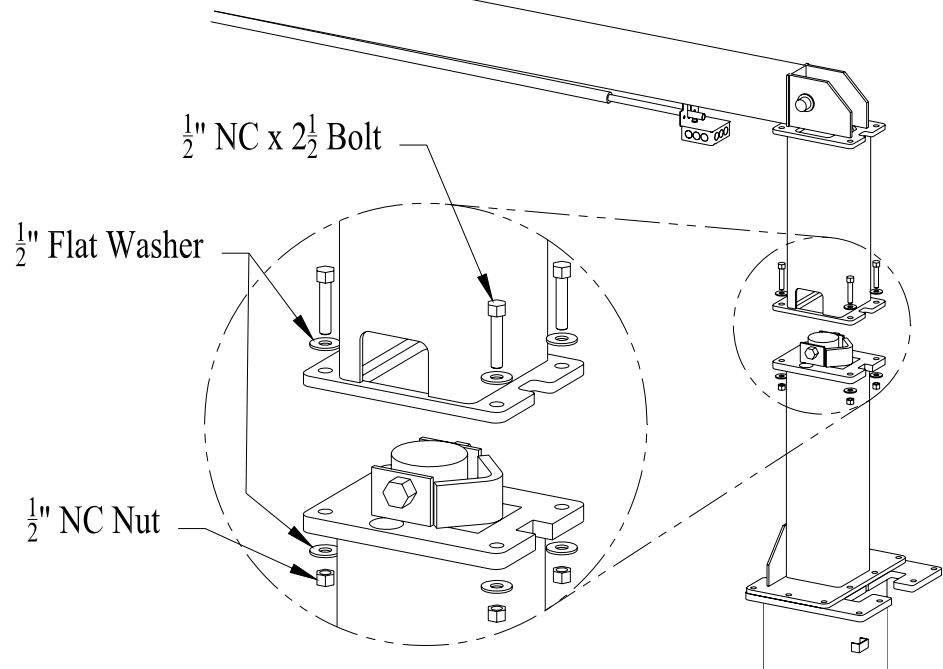


Figure 10

For extended height models raise the overhead beam and secure it to the top of the Height Extensions using four 1/2 x 2-1/2" bolts at each end.

9. Anchoring offside leg

- A. Using a level check the alignment and plumbness of the entire structure. Plumb the offside leg both side to side and front to back.
- B. The base of the leg may vary slightly from the preliminary layout, as it is more important that the leg be perpendicular to the floor and parallel to the other leg.
- C. Install the anchor bolts and shim the base as described in the earlier "Leg positioning and anchoring" step.

10. Assemble carriage cables

- A. The carriages should be resting on the same safety rack tooth. Measure the height above the baseplate for each carriage. The measurements should be within 3/8" of each other. Make a note of the two measurements.
- B. Standing between the two legs looking at either carriage, push one end of a cable down through the right-rear hole in the top of the carriage until the cable hits the floor.
- C. Attach a 3/4" nylon insert nut with an SAE washer to the end of the cable. Connect the nut to the cable so that approximately 1/8" of the cable end sticks past the end of the nut.
- D. Running the cables, figure 11.

Thread the other end of the cable up through the upright,
Over the rightmost pulley at the top of the lift,
Over to the leftmost overhead pulley on the other side of the lift,
Down through the left rear hole in the top of the carriage,
Around the pulley in the bottom of the leg,
Up through the left-front hole in the top of the carriage.

- E. Secure the cable end with a 3/4 nylon insert nut and SAE washer. **Do not tighten** the cable at this time.
- F. Repeat the process for the other cable, taking care not to cross them.
- G. Take out the slack, but do not tighten, both cables by turning down the nuts on the top of each carriage top. Use vise grips to hold the cable end, but be very careful not to damage the threads.
- H. The carriages must remain at the same lock position while the cables are being tightened. Overtightening of one cable could raise the carriage in the opposite leg and cause the carriage safety latches to be out of sync.
- I. Alternately tighten the cable nuts at both carriages until the cables are tightened. Correct tension in the cables is indicated by approximately 1/4" deflection on the cable in the leg when pulled at its midpoint.
- J. Measure and compare the carriage heights to the earlier measurement, or check that the safety latch pull rod will not disengage to verify that neither carriage has been raised. If a carriage has been raised more than 1/8", loosen the cables and repeat the procedure.

- K. If the cables are installed correctly, both carriages will raise together. If equipment capable of lifting the carriages is readily available, lift one of them just enough to pull out the safety latch pull rods under both carriages and carefully lower to the ground. This will simplify the cylinder bleeding procedure.

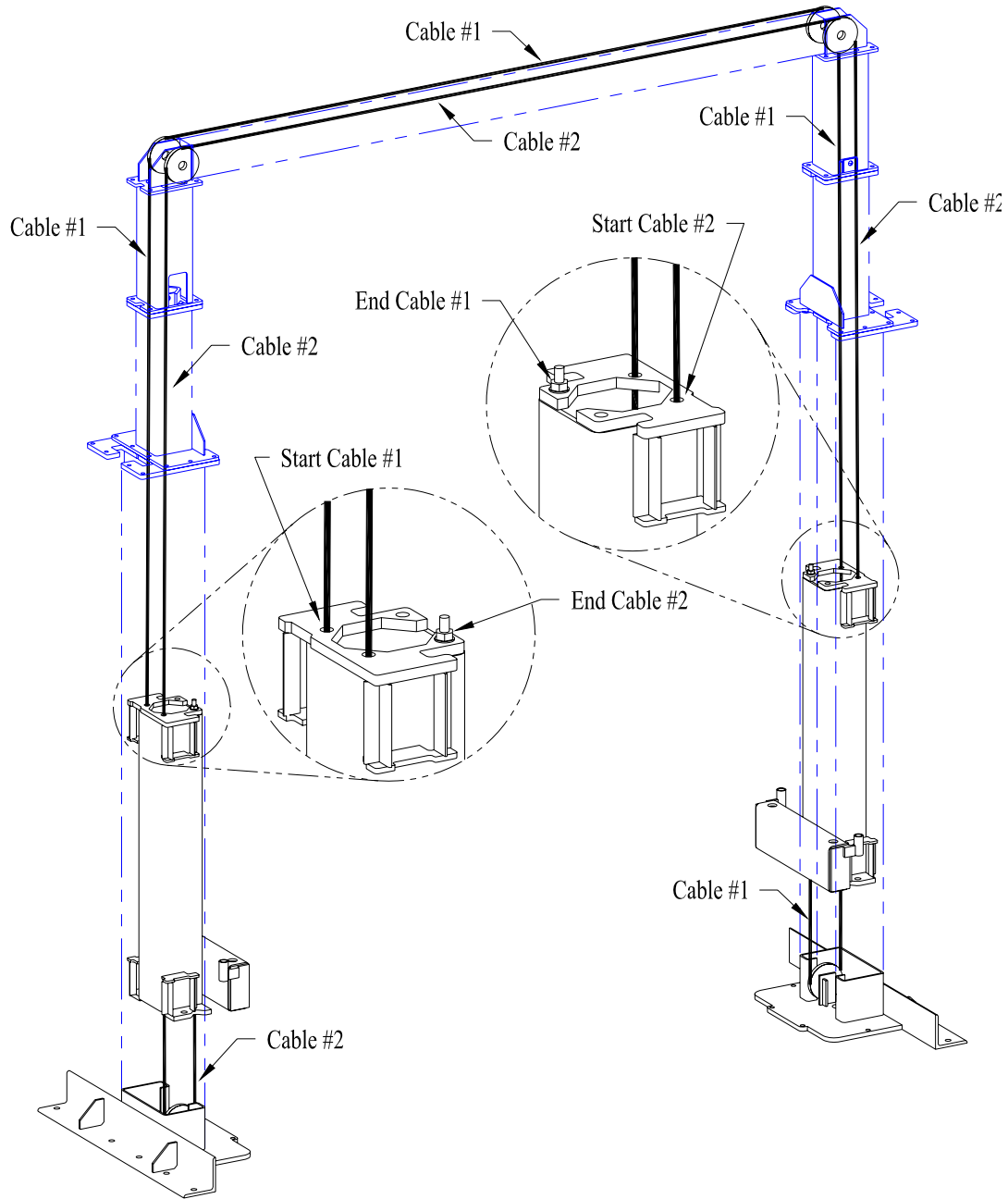


Figure 11

11. **Mounting the power unit.** Attach four 5/16" x 1-1/4" bolts to the highest two and lowest two holes in the mounting bracket with 5/16" plain nuts. Attach the power unit, to these bolts and secure with 5/16" nylon insert nuts.

12. Hydraulic system, figure 12.

- A. The right side of the power unit from the controls has one open port. Attach the o-ring elbow to this port with the open end up.
- B. Connect the remaining pressure hose to the o-ring elbow on the power unit. Run the hose up through the hose guides welded to the back of the leg. Connect the male JIC tee to the hose so that the other two ends of the tee are running through the overhead and down the leg.
- C. Pull the hose from the mainside cylinder up and connect it to the tee.
- D. Run the offside cylinder hose up the offside leg, through the overhead, and connect it to the tee.
- E. To prevent the carriages from rubbing the hoses, pull the hoses upward taking out any slack between the cylinder fitting port and the cylinder mount. Secure the hoses to the mainside cylinder with wire tie around the tee and the cylinder. Secure the hose to the offside cylinder at approximately the same height with a wire tie.
- F. Any excess hose should be taken up at the corners between the legs and the overhead. Once the slack in the hoses has been properly taken up, secure the hoses in place with wire ties.
- G. Add fluid. Remove the fill level screw near the top of the power unit tank. Remove the fill-cap from the tank and fill with Dexron III ATF or petroleum base hydraulic oil, ISO-32, non foaming, non detergent, such as Mobil DTE 24 or Texaco HD 32, until fluid reaches the bottom of the return line port adjustable elbow.

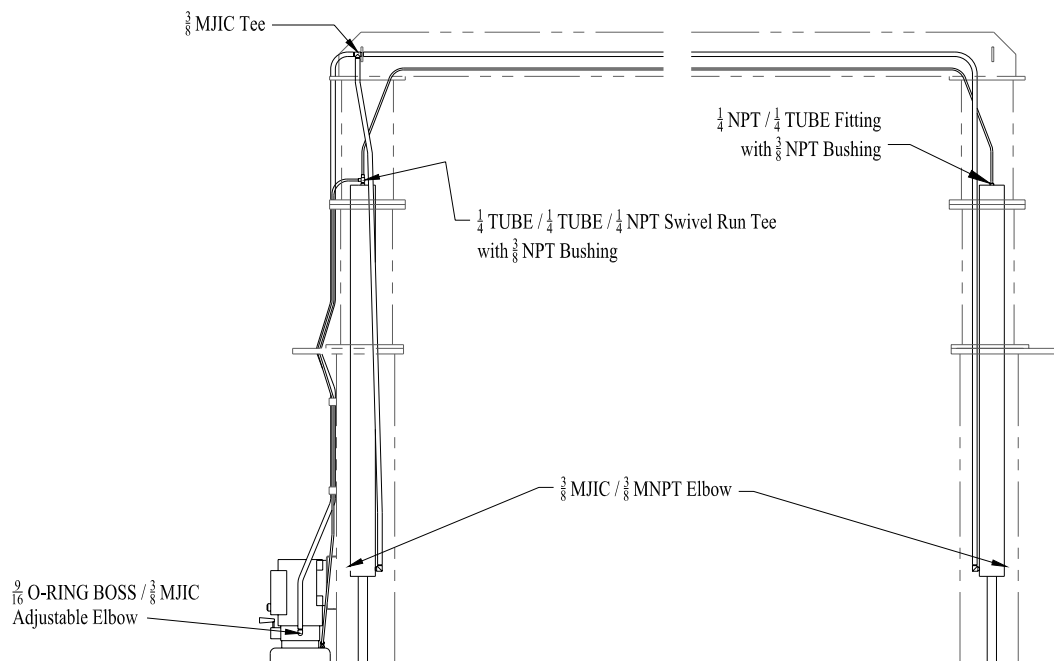


Figure 12

13. Electrical.

- A. Have a certified electrician establish 208-230V, single phase, 60 Hz., 20 amp, power supply to motor and overhead switch, figure 13.

Use separate circuits for each power unit.

Single phase motor cannot be run on 50 Hz. line without modifications in the motor.

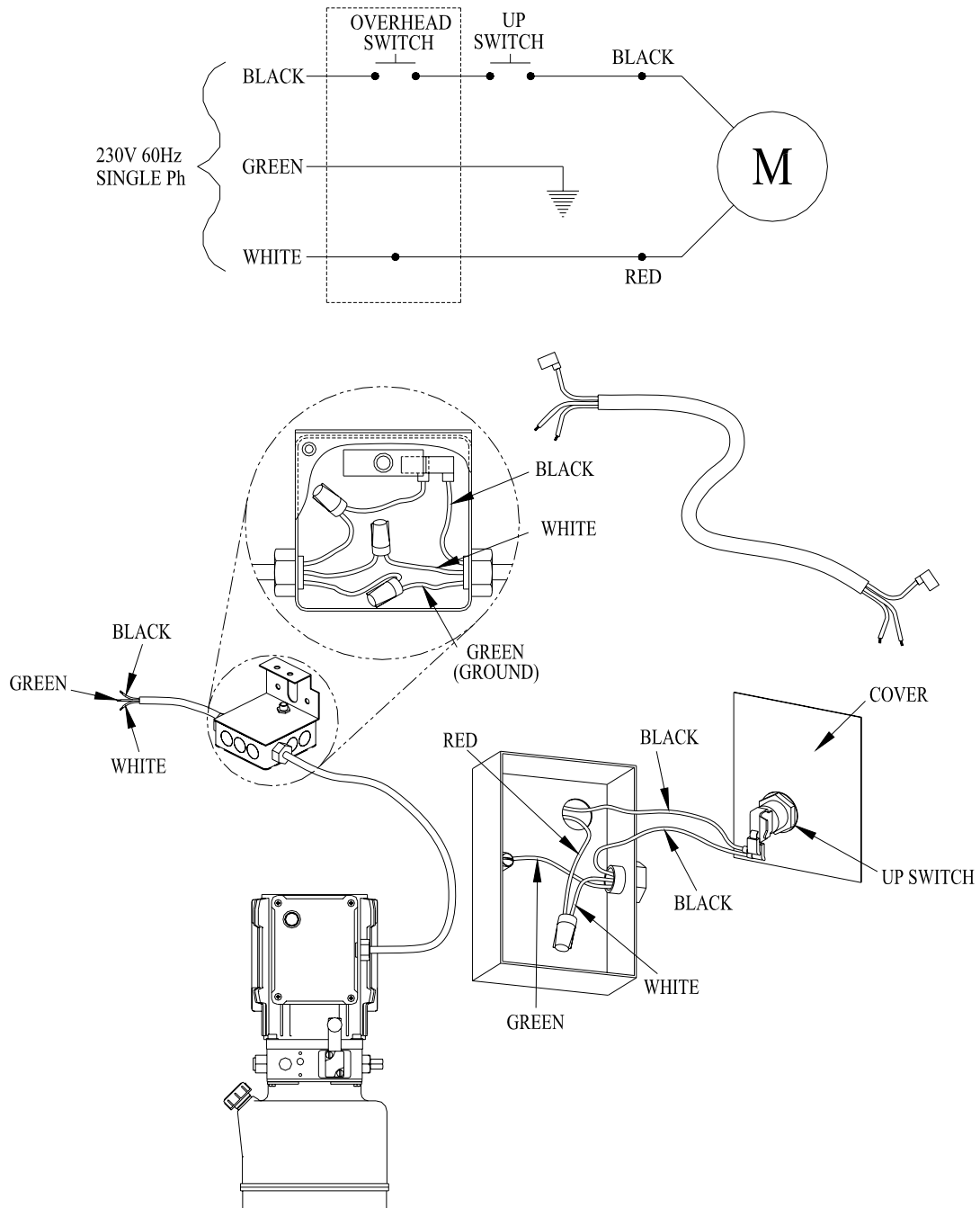


Figure 13

14. **Bleeding the hydraulic system, figure 12.**

- A. Loosen the connections **between the hoses and fittings** attached to the cylinders. **Do not** loosen the connections **between the fittings and the cylinders themselves**.
- B. Run the power unit until fluid appears at the mainside cylinder port. Tighten that hose connection.
- C. Run the power unit until fluid appears at the offside cylinder port and there is no more air. Tighten that hose connection.
- D. Lower the lift to the ground. If the lift is on the safety latches, raise the lift enough to disengage the latches and then lower.
- E. If the carriages were on the ground when the bleeding process was begun, no further bleeding is required. If not, repeat the previous steps for bleeding the hydraulic system.
- F. Add fluid to the system as previously described.

15. **Connecting the return lines, figure 12.**

- A. Take special care not to kink the plastic return lines.
- B. From the power unit run one end of the ¼” plastic tubing up through the hose guides and connect it to the tee attached to the top of the mainside cylinder.
- C. Measure out enough tubing to adequately reach the fitting on the back of the power unit tank. Cut the tubing and connect it to the fitting.
- D. Connect one end of the remaining tubing to the open port in the tee at the top of the mainside cylinder.
- E. Run the free end of the tubing up the mainside column, through the overhead and down the offside column. Cut off excess tubing and connect the hose to the fitting on the top of the offside cylinder

16. Assembling the arms and arm restraints

- A. Install the swing arms with the swing arm pins, figure 14.
- B. Install the swing arm restraints, figure 15.

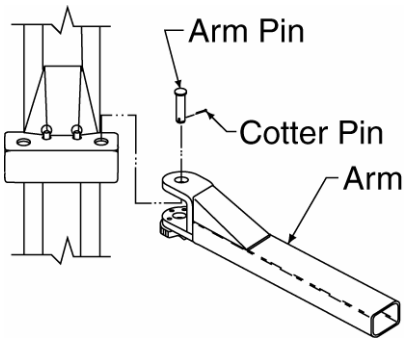


Figure 14

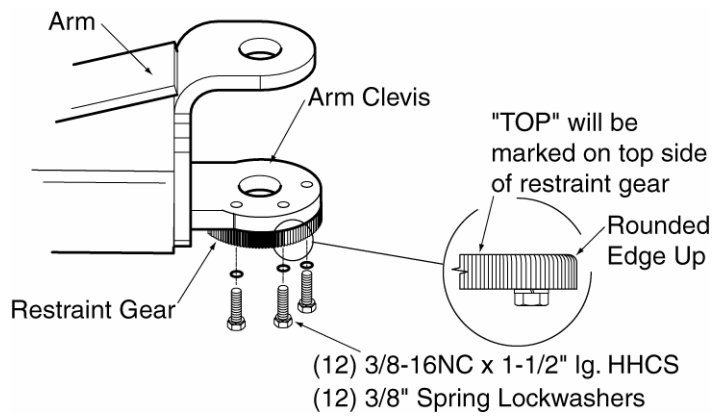


Figure 15

- 17. Lubricate the four inside corners of both legs with heavy duty bearing grease.

18. Final Adjustments

- A. If any problems are encountered, do not proceed with subsequent steps. Instead, resolve the problem before proceeding by referencing the Troubleshooting portion of the Owner's Manual section of this manual.
- B. Raise the lift to full height. Lower the lift onto the safety latches. Raise the carriages, pull out both latch pull rods, and lower the lift to the ground.
- C. Raise the lift **empty** to the top of its travel and lower it the floor three (3) times to remove the remaining air from the hydraulic system.
- D. The latches should click together as the lift is being raised.
- E. When the carriages are lowered onto the locks, neither pull rod should be capable of being pulled out.
- F. **The first time a vehicle is placed on the lift, raise it no higher than three feet.** Lower the vehicle onto the safety latches. Raise the lift a few inches and pull out both latch pull rods then lower the vehicle to the floor.
- G. Raise the vehicle to full height and lower the carriages onto the safety latches. Lower the vehicle to the floor.
- H. After cycling the lift ten times with a vehicle on it, recheck the tightness of the anchors to at least 150 ft-lbs.

PARTS BREAKDOWN

| | |
|----------------------------------|---------|
| 1) BOLT BOX | 994151 |
| 2) CABLE KIT | |
| STANDARD HEIGHT | 994235 |
| EXTENDED HEIGHT | 994236 |
| 3) HYDRAULIC KIT | |
| STANDARD HEIGHT | 994211 |
| EXTENDED HEIGHT | 994207 |
| 4) MAINSIDE LEG | 137101 |
| 5) OFFSIDE LEG | 137201 |
| 6) CARRIAGE ASSEMBLY | 137530 |
| 7) WIPE OUT | 070528 |
| 8) SAFETY LATCH | 137502 |
| 9) ARM RESTRAINT PAWL | 143535 |
| 10) ACTUATOR PIN | 137536 |
| 11) ARM RESTRAINT SPRING | 143537 |
| 12) PULL ROD | 143540 |
| 13) 3/8 FLAT WASHER | 912005 |
| 14) 1-1/8NF NYLOC NUT | 914804 |
| 15) 1-1/8 SAE WASHER | 914806 |
| 16) 1/4 ROLL PIN X 1-1/2 | 991060 |
| 17) 3/16 PAL NUT | 991070 |
| 18) LATCH SPRING | 991071 |
| 19) 3/8 KLIP RING | 991503 |
| 20) 3/4 KLIP RING | 991504 |
| 21) CARRIAGE WELDMENT | 137531 |
| 22) SWING ARM ASSEMBLY | 1580600 |
| 23) UPRIGHT WELDMENT | 137801 |
| 24) OVERHEAD WELDMENT | 137802 |
| 25) 2' EXTENSION | |
| STANDARD HEIGHT | - |
| EXTENDED HEIGHT | 137803 |
| 26) SNAP RING, 1-3/8" EXTERNAL | 991030 |
| 27) 5" CABLE SHEAVE | 995030 |
| 28) CYLINDER, 3" x 68" STROKE | 992322 |
| 29) RUB BLOCK | 996390 |
| 30) POWER UNIT | 992032 |
| 31) HHCS G5 1/2"-13NC x 2-1/2 LG | 912701 |
| 32) HEX NUT 1/2"-13NC | 912601 |
| 33) FLAT WASHER, 1/2" | 912605 |

1. Section 3

2. Parts Breakdown

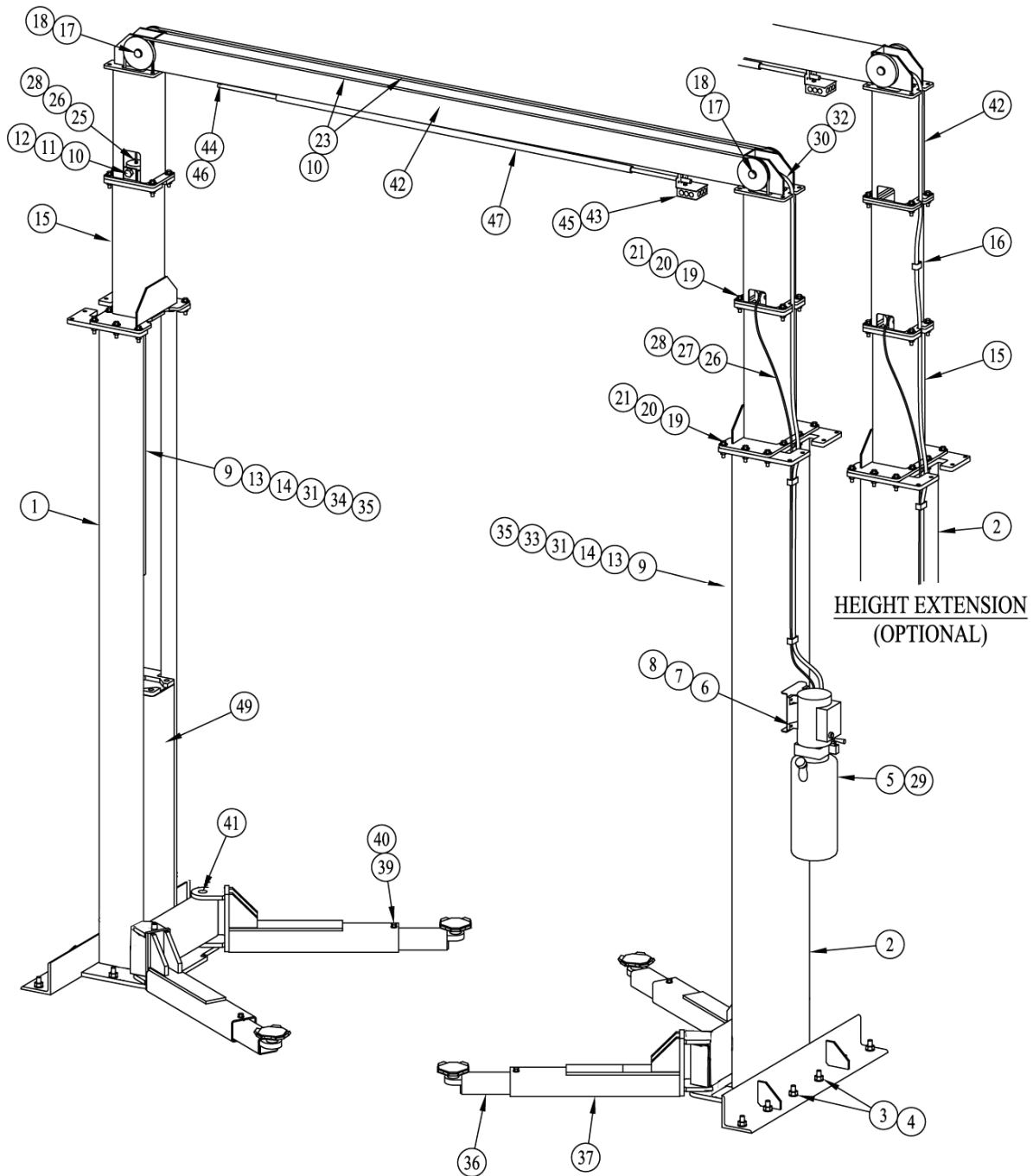


Figure 15

| | | |
|----|----------------------------------|---------|
| 1 | Offside Leg | 137201 |
| 2 | Mainside Leg | 137101 |
| 3 | Shim | 991127 |
| 4 | 3/4" X 5-1/2" Anchor Bolt | 913828 |
| 5 | Power Unit | 992032 |
| 6 | 5/16-18 Hex Nut | 911701 |
| 7 | 5/16-18 Nylon Insert Lock Nut | 911703 |
| 8 | 5/16-18 X 1-1/4" HHCS Grade 5 | 911751 |
| 9 | Cylinder | 992322 |
| 10 | 3/4-16 Nylon Insert Lock Nut | 913604 |
| 11 | 3/4-16 X 5 HHCS Grade 8 | 913882 |
| 12 | 3/4" SAE Washer | 913606 |
| 13 | 1" Hex Nut | 914402 |
| 14 | 1" Hex Jam Nut | 914411 |
| 15 | Upright | 137801 |
| 16 | Extension | 137803 |
| 17 | 1-3/8 Snap Ring | 991030 |
| 18 | 5" Cable Sheave | 995030 |
| 19 | 1/2-13 X 2-1/2 HHCS Grade 5 | 912701 |
| 20 | 1/2-13 Hex Nut | 912601 |
| 21 | 1/2 Washer | 912605 |
| 22 | NA | NA |
| 23 | Cable | |
| | Standard Height | 992626 |
| | 2' Extended Height | 992629 |
| 24 | Offside Return Line Fitting | 992504 |
| 25 | 1/4" Return Line | 992212 |
| 26 | Mainside Return Line Tee | 992505 |
| 27 | 3/8" Bushing to 1/4" NPT Bushing | 992501 |
| 28 | 9/16 O-Ring to 3/8 JIC Elbow | 992410 |
| 29 | 3/8 JIC Tee | 992502 |
| 30 | 3/8 JIC to 3/8 NPT Elbow | 992402 |
| 31 | Power Unit Hose | |
| 32 | Standard Height | 992103 |
| | 2' Extended Height | 992170 |
| | Mainside Hose | |
| 33 | Standard Height | 992180 |
| | 2' Extended Height | 992172 |
| | Offside Hose | |
| 34 | Standard Height | 992167 |
| | 2' Extended Height | 992173 |
| | 24" Wire Tie | 991082 |
| 35 | Swing Arm Assembly | 1580600 |
| 36 | Swing Arm Slider Weldment | 137602 |
| 37 | Swing Arm Tube Weldment | 1580601 |
| 38 | | |

| | | |
|----|---|---------|
| 39 | 1/2-13 X 3/4 HHCS Grade 5 | 912631 |
| 40 | 1/2 Lock Washer | 912607 |
| 41 | Arm Pin | 995910 |
| 42 | Overhead Weldment | 137802 |
| 43 | Overhead Switch | 991476 |
| 44 | Switch Bar Spacer | 991480 |
| 45 | HWHTS Type F, 10-24 X 1/2" | 991482 |
| 46 | HWHTS Type F 10-24 X 1-3/4" | 991483 |
| 47 | Padded Overhead Switch Bar | 991481 |
| 48 | Rub Block | 996390 |
| 49 | Carriage Assembly | 137530 |
| 50 | Carriage Weld | 137531 |
| 51 | Latch Weldment | 137502 |
| 52 | Latch Wipeout | 070528 |
| 53 | Latch Pivot | 106521 |
| 54 | 3/32 X 1-1/2 Cotter Pin | 991077 |
| 55 | 1-14 X 3 HHCS Grade 8 | 914522 |
| 56 | 1" Washer | 914406 |
| 57 | 3/8" Washer | 912005 |
| 58 | Latch Pull Rod | 090541 |
| 59 | Latch Spring | 991071 |
| 60 | 3/16 Cap Nut | 991070 |
| 61 | Arm Restraint Spring | 991216 |
| 62 | Pull Loop | 1580620 |
| 63 | Restraint Pin | 1580618 |
| 64 | Restraint Spring | 1580619 |
| 65 | Gear Block | 1580617 |
| 66 | Restraint Gear | 1580616 |
| 67 | 3/8"-16NC x 1-1/2" Ig. HHCS & Lock Washer | |
| | | |
| | | |
| | | |
| | | |
| | | |
| | | |
| | | |
| | | |
| | | |
| | | |
| | | |
| | | |
| | | |
| | | |
| | | |
| | | |

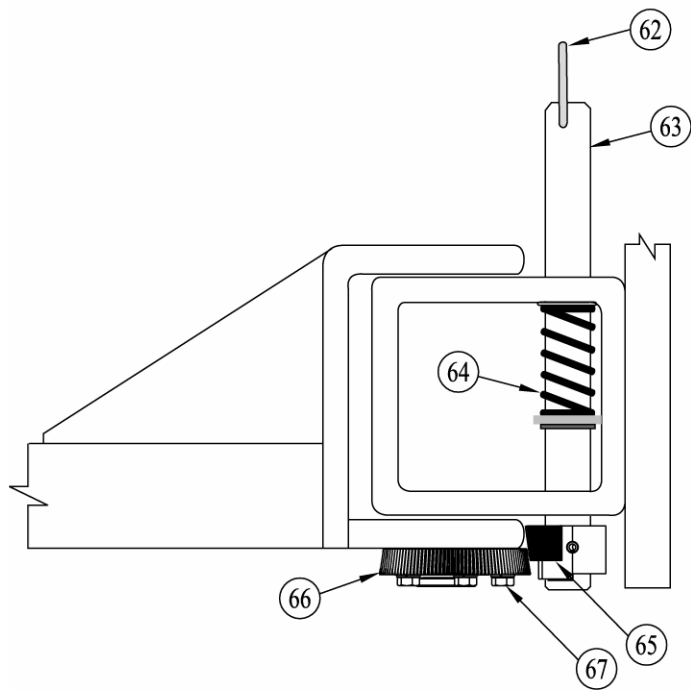
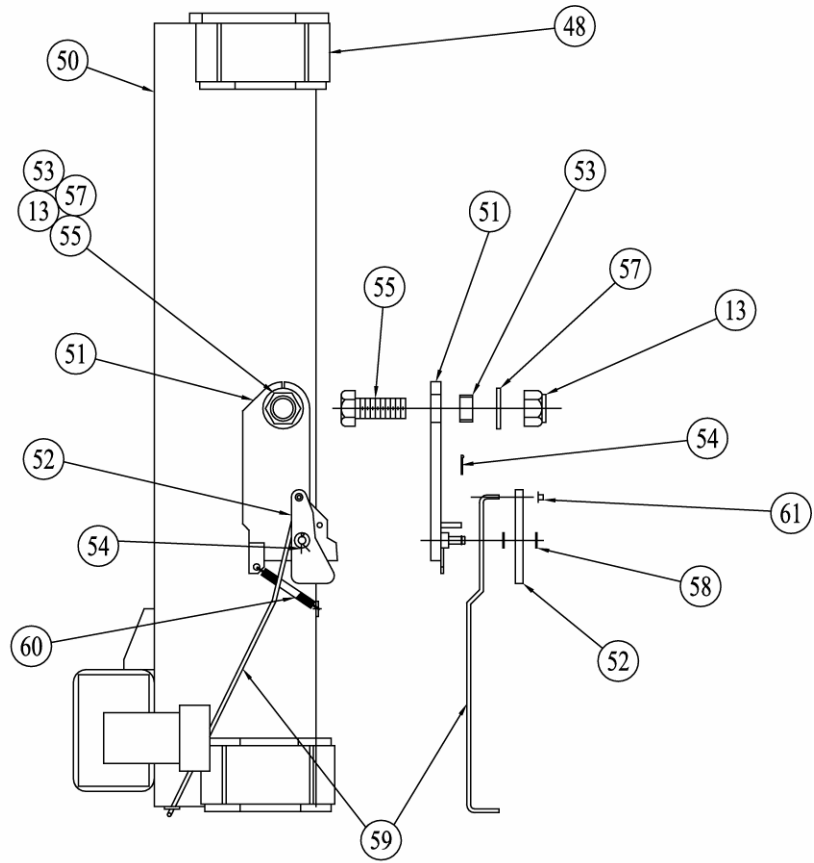


Figure 16