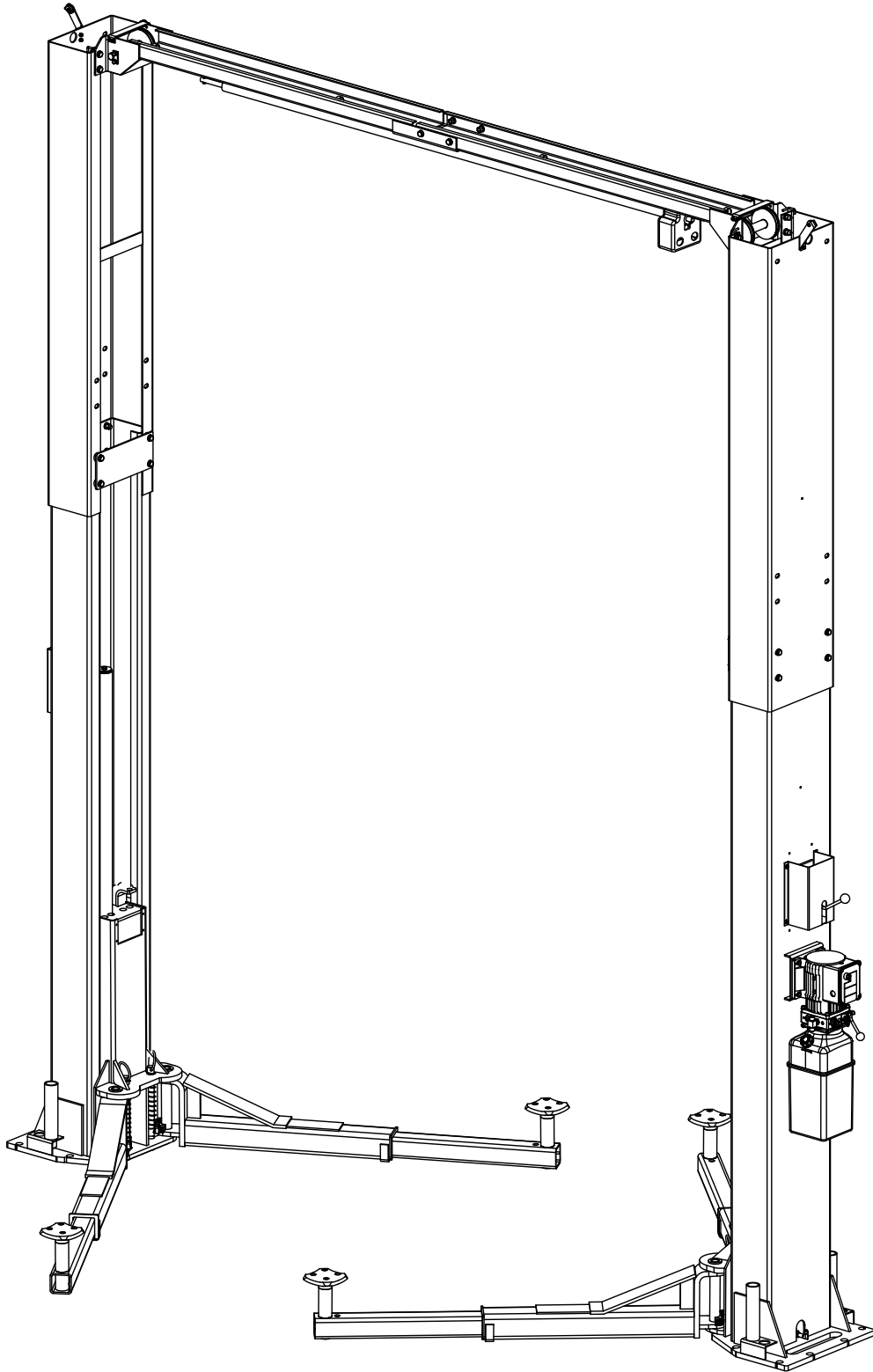


Parts Breakdown

Capacity 12,000 lbs.



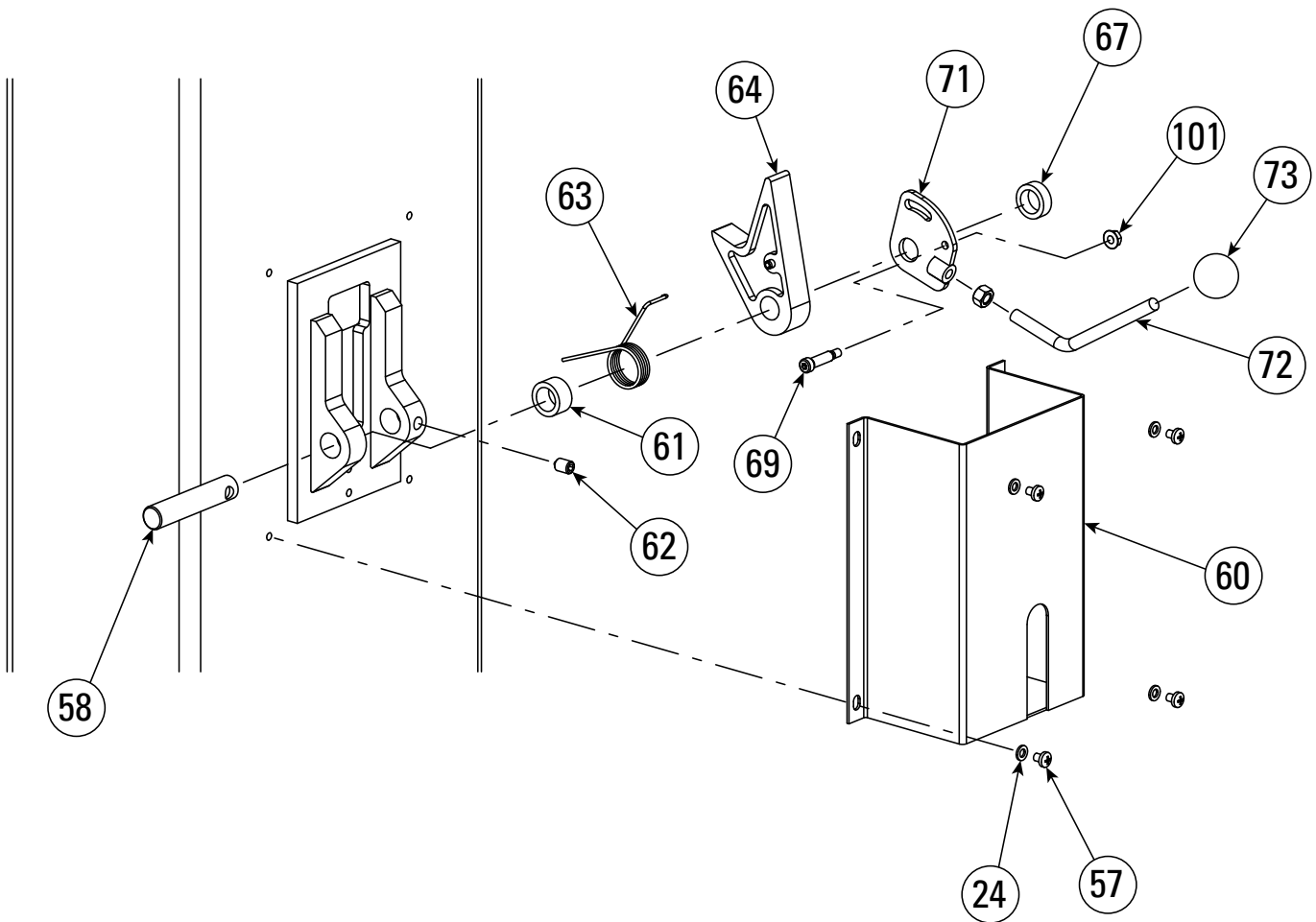
LP60028

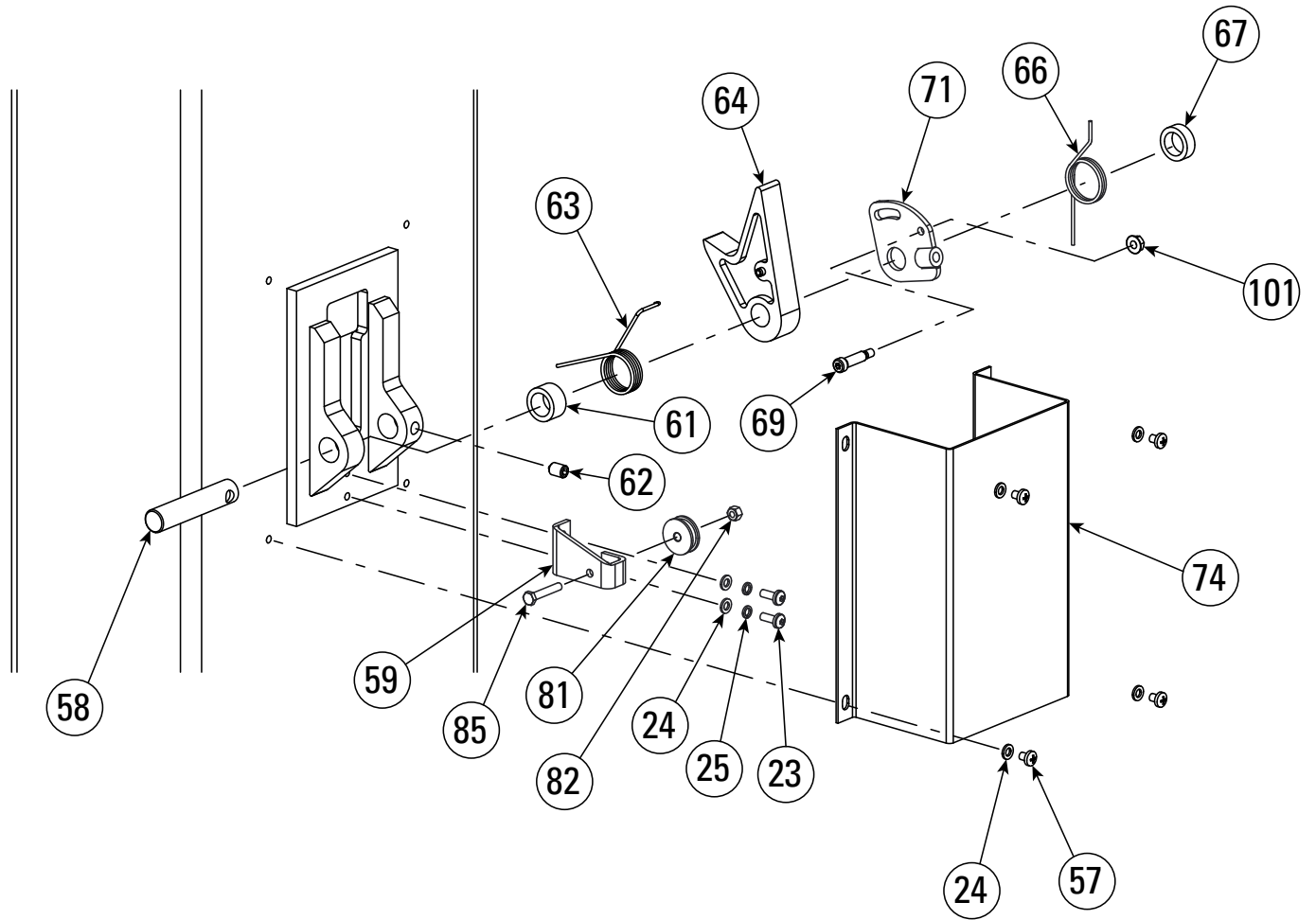
Parts Breakdown

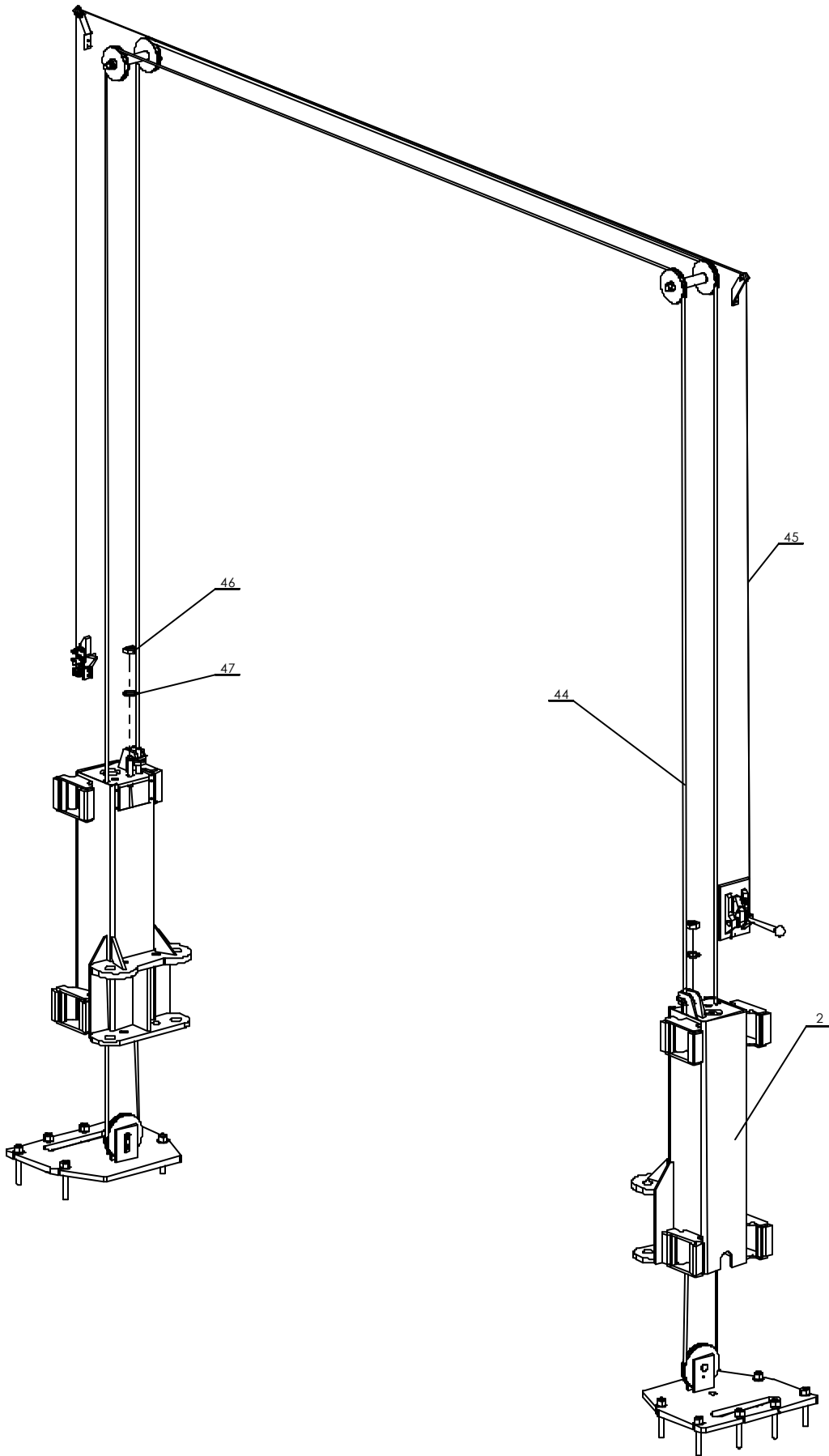
PARTS LIST			
ITEM	PART NUMBER	DESCRIPTION	QTY
1	V12TP-1000G1DC	COLUMN SLAVE SIDE	1
2	V12TP-5000G	CARRIAGE WELDMENT	2
3	V12TP-4000G	ARM WELDMENT	4
4	V12TP-4410	LIFT PAD WELDMENT	4
5	N2122	MOON GEAR ARM LOCK	4
6	B40-10	LOCK WASHER 10	9
7	B20-10×35	SOCKET HEAD SCREW M10×35	8
8	V12TP-5200	ARM PIN	4
9	V12TP-2000	UP-RIGHT WELDMENT	2
10	B10-12×40	HEXHEAD BOLT M12×40	8
11	B41-12	FLAT WASHER 12	44
12	B40-12	LOCK WASHER 12	22
13	B30-12	NUT M12	22
14	V12TP-1015	FACE BRACE	2
15	B60-25	SNAP RING 25	8
16	30500-3000-09	SPACER B	4
17	52005	4.75" CABLE PULLEY	4
18	30500-3000-08	SPACER A	2
19	V12TP-3001	SHAFT TOP CABLE PULLEY	2
20	V12TP-3100G	CROSS BEAM WELDMENT A	1
21	B10-12×25	HEXHEAD BOLT M12×25	6
22			
23	B20-6×16	SOCKET HEAD BOLT M6×16	2
24	B41-6	FLAT WASHER ø6	39
25	B40-6	LOCK WASHER ø6	14
26	V12TP-3200G	CROSS BEAM WELDMENT B	1
27	B30-6	NUT M6	5
28	30500-8000-2-1	PULLEY BRACKET A	2
29	B10-6×20	HEXHEAD BOLT M6×20	4
30	B10-8×35	HEXHEAD BOLT M8×35	4
31	B41-8	FLAT WASHER ø8	14
32	B40-8	LOCK WASHER ø8	10
33	B30-8	NUT M8	4
34	P3291	1ø 60 Hz. POWER UNIT	1
	P3556	1ø 50 Hz. POWER UNIT	
	P3526	3ø POWER UNIT	
35	V12TP-4301	SHORT ADAPTER	4
36	V12TP-4302	LONG ADAPTER	4
37	B14-3/4×140	ANCHOR BOLT 3/4"×140	12
38	2WB-18	HYDRAULIC HOSE	1
39	N380	HYDRAULIC CYLINDERS	2

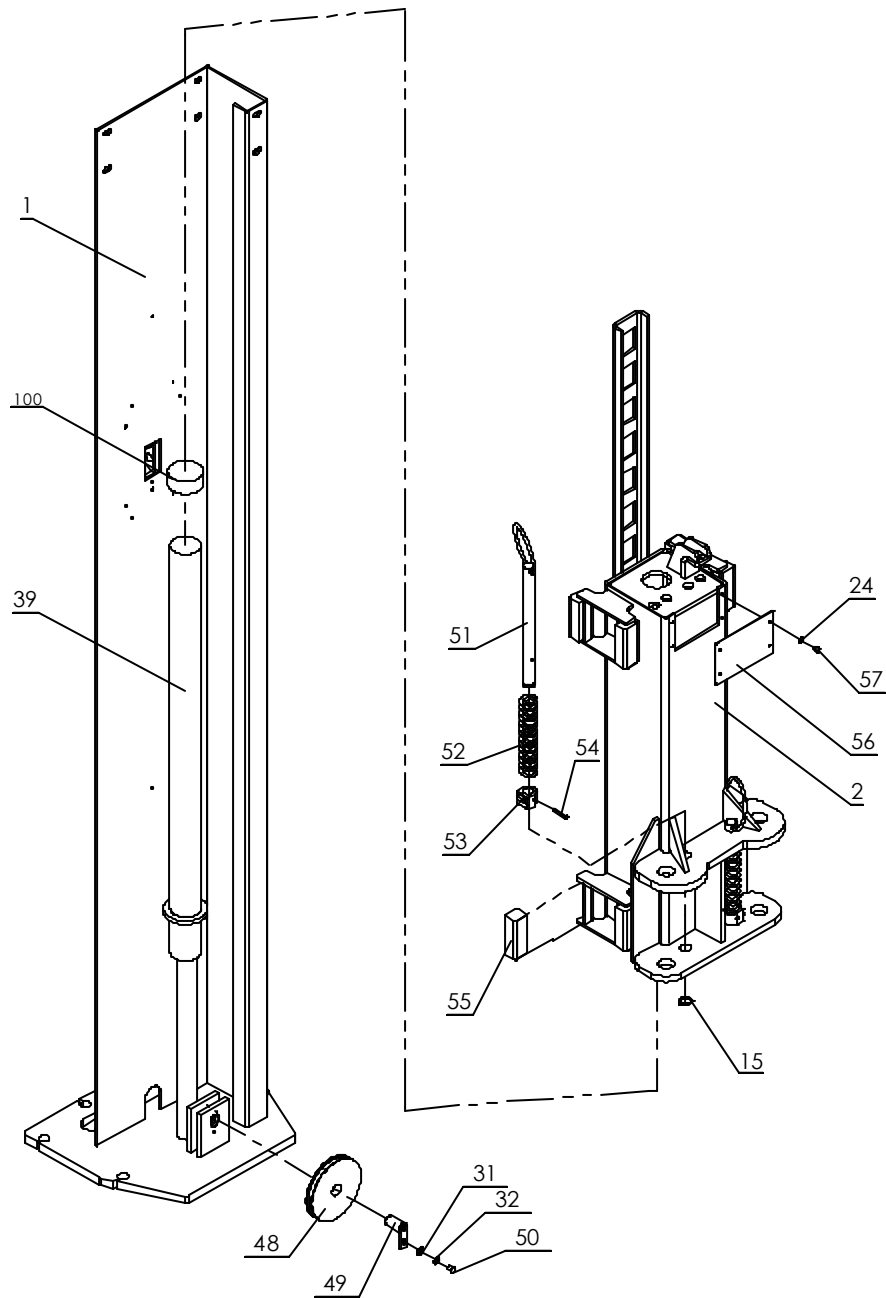
40	N3142	FLOW CONTROL	2
41	N3143	ELBOW FITTING	2
42	2WB-17	HYDRAULIC HOSE	1
43	V12TP-6005	T FITTING	1
44	V12TP-6001	EQUALIZING CABLE	2
45	V12TP-9001	ø2.5 CABLE	1
46	B33-3/4-16	NYLON LOCK NUT 3/4"-16 UNF	4
47	B41-20	FLAT WASHER ø20	4
48	V12TP-1012	CABLE PULLEY	2
49	V12TP-1010	SHAFT TOP CABLE PULLEY	2
50	B10-8×16	BOLT M8×16	2
51	V12TP-5101	PIN ARM LOCK	4
52	V12TP-5102	SPRING	4
53	N2121	MOON GEAR ARM LOCK	4
54	B51-6×40	ROLL PIN ø6×40	4
55	V12TP-5009	RUBBER BLOCKS	16
56	V12TP-5010	COVER	2
57	B23-6×8	PHILLIP SCREWS M6×8	26
58	30500-5001(B)-09G	SHAFT	2
59	30500-8000-3-1G	PULLEY BRACKET B	1
60	30500-8000-1GDC	COVER A	1
61	30500-5001(B)-07G	SPACER	2
62	B22-10×16	BOLT M10×16	3
63	30500-5001B-10G	SPRING	2
64	TP10-1010	LATCHES	2
65			
66	30500-5001(B)-25G2	SPRING	1
67	30500-5001(B)-24G	SPACER	2
69	40220	SHOULDER BOLT	2
70			
71	FJ7594-5	CAM PLATE	2
72	HT0-1210	OPERATING HANDLE	1
73	B84-35	KNOB ø35×3/8"	1
74	30500-8000-1G	COVER B	1
75	B10-12×50	BOLT M12×50	8
76	N467(1PH)/N434(3PH)	SWITCH BAR ASSEMBLY	1
77	DP9-7009	3/4" SPACER	2
78	N413(1PH)/N432(3PH)	OVERHEAD SWITCH ASSY.	1
79	30500-2000-12	HYDRAULIC HOSE GUIDE	2
80	B20-6×25	SOCKET HEAD SCREW M6×25	2
81	30500-8000-2-2	CABLE SHEAVE	3
82	B33-6	NYLON LOCK NUT M6	6
83	52200-3	RUBBER PAD	4
84	B13-6×28	M6×28 SCREW	8
85	B10-6×35	HEXHEAD BOLT M6×35	1

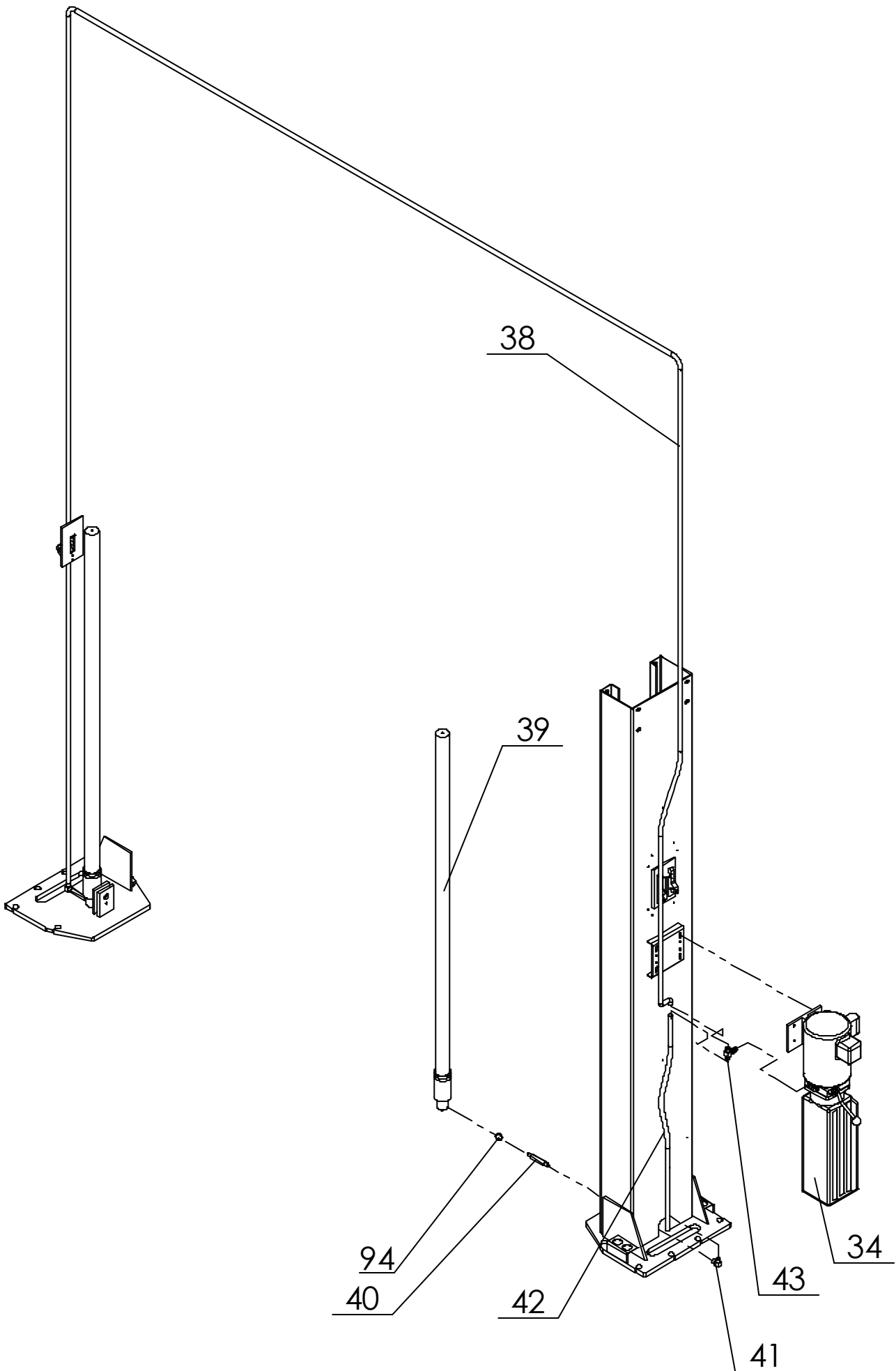
86	V12TP-1000G1	COLUMN MASTER SIDE	1
87			
88			
89	30400-1999	WASHER	4
90	NH4D-2005	STOP NON-ROTATOR BAR	2
91	B10-8×16	HEXHEAD BOLT M8×16	4
92	B20-6×16	SOCKET HEAD SCREW M6×16	8
93	V12TP-3110G	RESTRICT SHELF	2
94	N3144	ADAPTER	2
95	B10-6×70	HEXHEAD BOLT M6×70	1
96		WIRE	1
97	B20-6×20	SOCKET HEAD SCREW M6×16	2
98	FA7366	CONTROL_3PH(only 3 phase use)	1
99	40275	M5×10 PHMS PLATED (only 3 phase use)	4
100	YG15-9106	RUBBER CUSHION	2
101	41423	NUT	2
102	B51-6X40	SPRING PIN	4

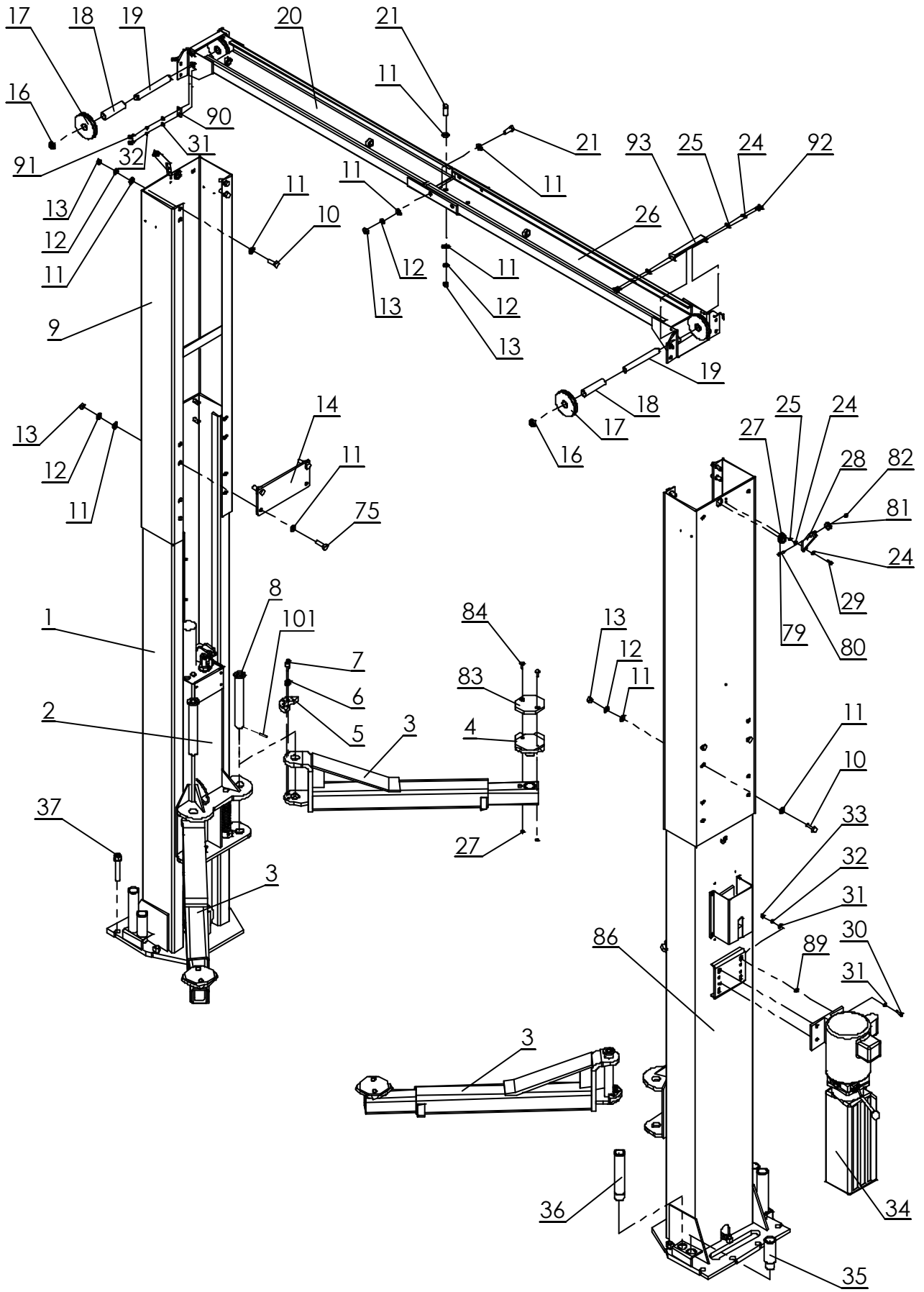


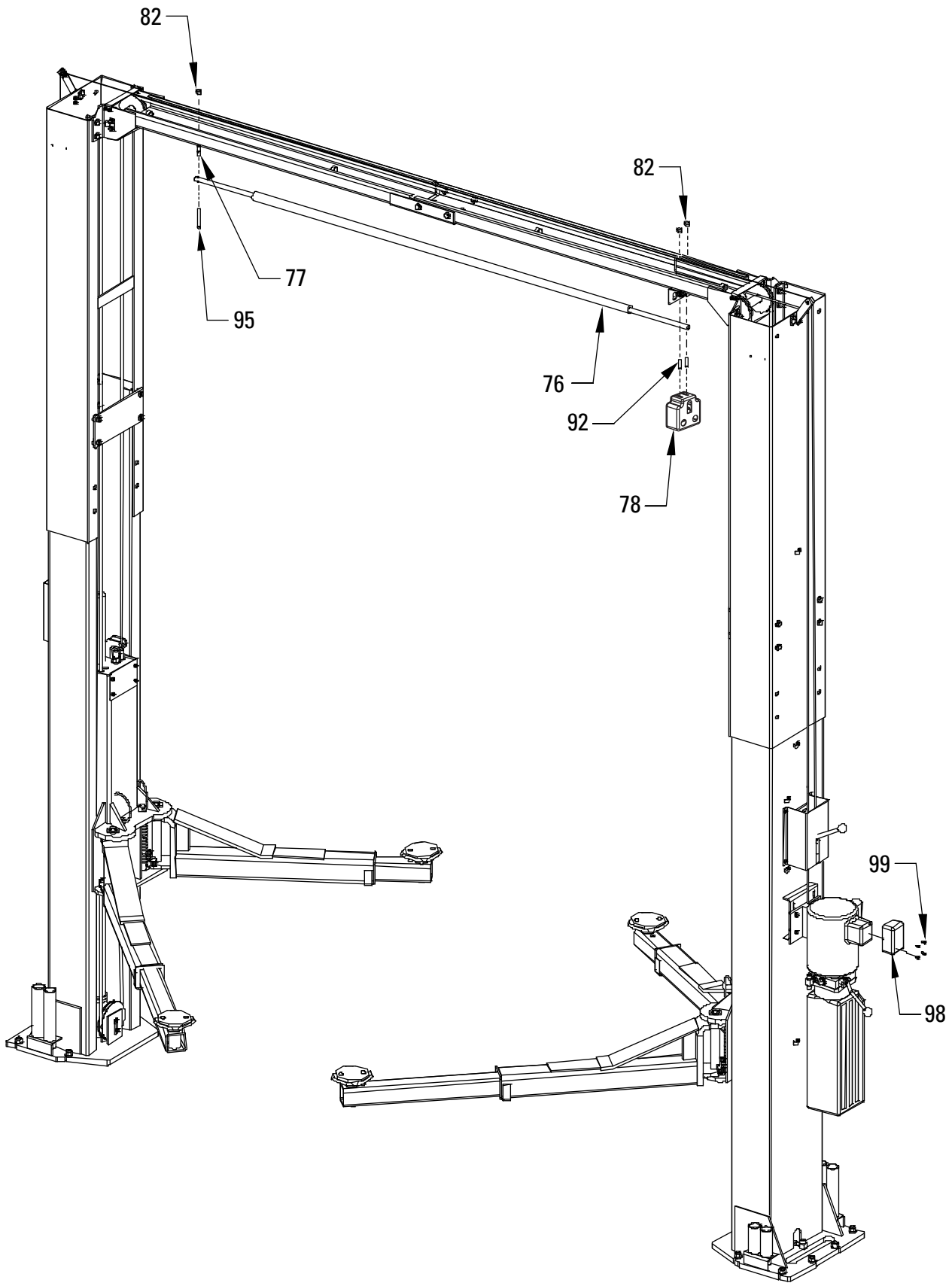












NOTES

Vehicle Service GroupSM
2700 Lanier Drive
Madison, IN 47250, USA
1-800-640-5438
www.vsgdover.com



© **Vehicle Service GroupSM**
All Rights Reserved. Unless otherwise
indicated, **Vehicle Service GroupSM**
and all other trademarks are property
of Dover Corporation and its affiliates.