



**ENGINEERED TO PERFORM. BUILT TO LAST.**

Reliable lift systems for independent repair shops, car dealerships, bodyshops, home enthusiasts, and heavy-duty truck facilities.

**Heavy duty capacity to handle vehicles with wheelbases up to 396"**

# CR50/CR60

**HEAVY DUTY DRIVE- ON LIFT**  
50,000 / 60,000 lbs. Capacities



**Battery operated DC Power with 110V on-board charger**

### **PATENTED CONTROL SYSTEM** Operate lift from ANY post with this exclusive control system

- Position memory: Lifting cycles are configured and set—turn each column on, lock the columns and go
- Programmable controls show operational status for each column
- Real time height reading
- Programmable height limiter - maintains level within 3"
- Battery indicator
- E-Stop button located at each panel
- Audible descent alarm



E-STOP Button

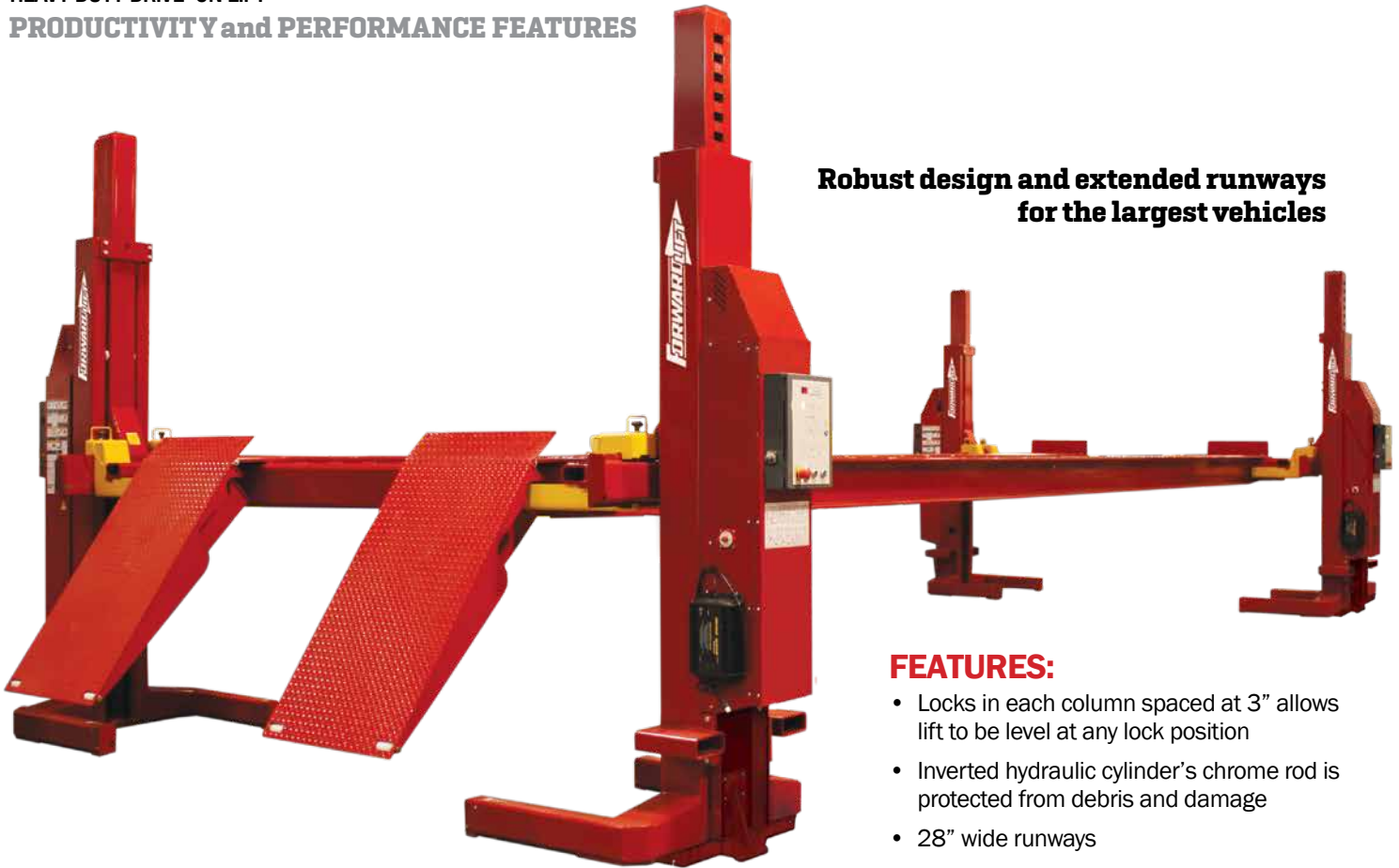
### **FEATURES:**

- All hydraulics and mechanical lifting components concealed under runway
- Industry best 65 second rise time
- Surface mounted and anchored - no required site preparation
- No cables, chains or sheaves
- Two model lengths available

# CR50/CR60

HEAVY DUTY DRIVE-ON LIFT

PRODUCTIVITY and PERFORMANCE FEATURES



**Robust design and extended runways  
for the largest vehicles**

## FEATURES:

- Locks in each column spaced at 3" allows lift to be level at any lock position
- Inverted hydraulic cylinder's chrome rod is protected from debris and damage
- 28" wide runways
- Low drive-on height
- No cables, chains or sheaves
- Two model lengths available
- Self chocking approach ramps engage when the lift is raised
- Internal air line connections allow two rolling jacks to operate at the same time
- Four easy to install wedge anchors secure the columns to the floor

**Battery operated lift with on-board charger  
creates the industry's fastest cycle times!**

- No special AC wiring costs or requirements
- Low electrical usage: DC battery power\* and 110V charging
- Fully functional during power outages

\*Battery purchased separately for international use

## LIFT OPTIONS:

### Ramp kits

Adding a drive-thru ramp kit to lift runways creates a quick and easy on-off service operation for service bays.

### Shim kit

Not every shop floor is perfect. Using optional shims during installation ensures a lift is level and operates at optimum performance. (Call factory for details)

### Mobility kit

Optional wheel kit is available to provide portability for each column adding movement within your shop.

### LED lighting

High-efficiency LED lighting, single touch operation system provides hands-free lighting under the vehicle from the lift's control panel.

### Rolling jacks

The optional rolling bridge can be attached to the runway to create various lifting options to make it even more versatile.

Forward Lifts meet the highest industry safety and performance standards. Your assurance of certification is the gold ALI/ETL certified label.



SPECIFICATIONS	CR50MU00RD CR50MU001RD	CR60MU00RD CR60MU001RD
Capacity	50,000 lbs. (22680kg)	60,000 lbs. (27216kg)
Maximum Rise	78" (1981mm)	78" (1981mm)
Maximum Wheelbase	336" (8534mm) 396" (10058mm)	336" (8534mm) 396" (10058mm)
Overall Length	427" (10846mm) 487" (12370mm)	427" (10846mm) 487" (12370mm)
Overall Width	189" (4800mm)	189" (4800mm)
Width between Columns	142" (3606mm)	142" (3606mm)
Column height	144-3/4" (3912mm)	144-3/4" (3912mm)
Runway Width	28" (711mm)	28" (711mm)
Width between Runways	45" (1143mm)	45" (1143mm)
Rise Time	65 seconds	65 seconds
Ramp Angle	10 degrees	10 degrees

Lifts available in red only  
Specifications subject to change without notice or liability.



996 Industrial Drive  
Madison, IN 47250

Phone: 800.423.1722  
Fax: 812.273.7329



[www.forwardlift.com](http://www.forwardlift.com)



Lit# Forward CR50.CR60 CUTSHEET.2020.08 ©2020 Vehicle Service Group™ All rights reserved.

Unless otherwise indicated, Forward Lift, Vehicle Service Group™, Dover and all other trademarks are property of Dover Corporation and its affiliates.  
Printed in the U.S.A.