



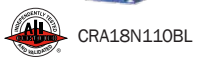
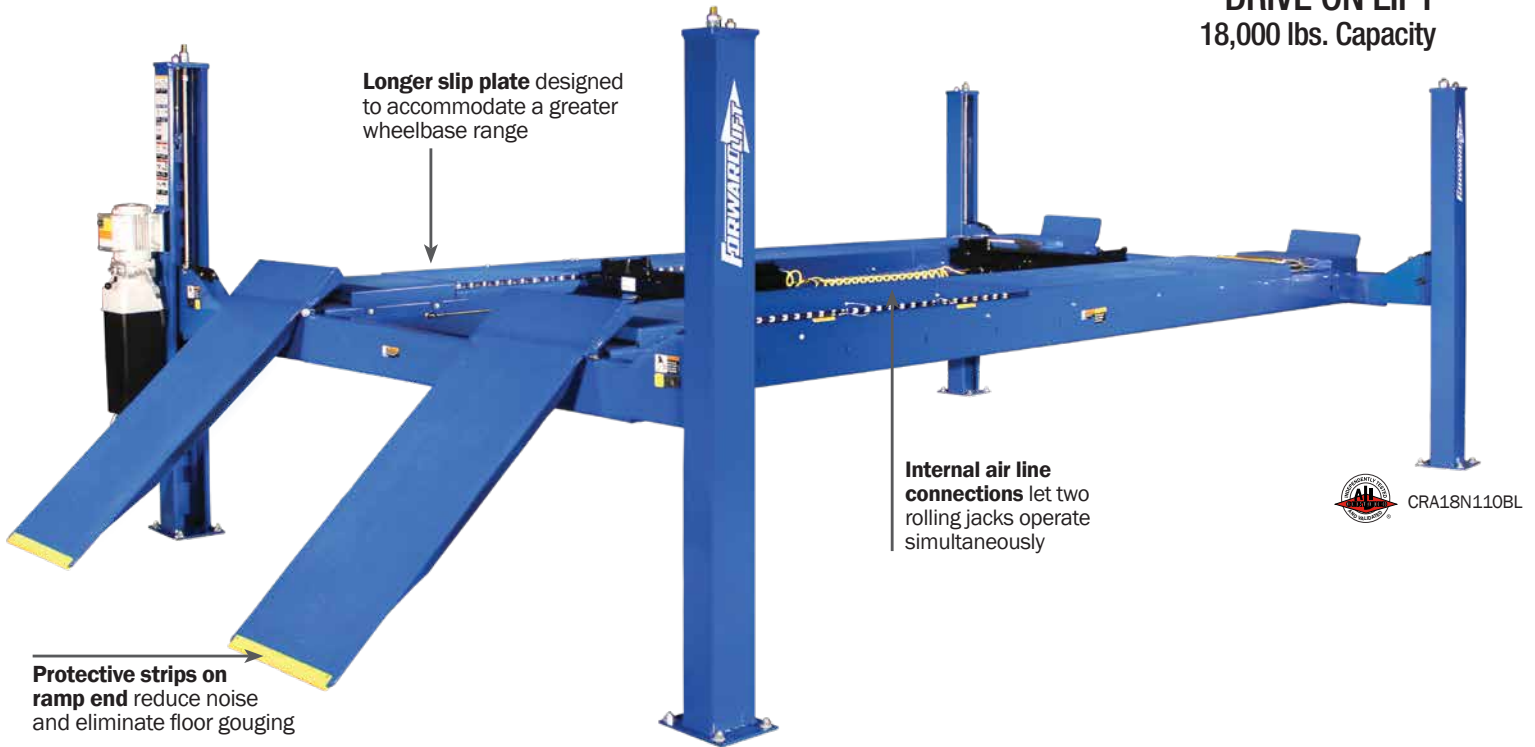
ENGINEERED TO PERFORM. BUILT TO LAST.

Reliable lift systems for independent repair shops, car dealerships, bodyshops, home enthusiasts, and heavy-duty truck facilities.

Four wheel alignment wheelbase range from 63" up to 177"

CRA18

**HEAVY DUTY ALIGNMENT
DRIVE ON LIFT
18,000 lbs. Capacity**



FEATURES:

- Two model lengths available
- Includes two 9,000 lbs. Rolling Jacks and two carbon steel turning radius gauges
- Multi-position lock system
- Non-skid surface on runways
- Single point lock release
- Durable powder coated paint

CRA18 LIFT OPTIONS:

- LED runway light kit
- 30 gallon oil drain pan
- Drive-through ramps
- Power unit cover

SPECIFICATIONS	CRA18N110BL/RD*	CRA18N111BL/RD*
Capacity	18,000 lbs. (8165kg)	
Rise	68" (1727mm)	
Maximum Wheelbase	194" (4928mm)	230" (5842mm)
Maximum Two Wheel Alignment	177" (4496mm)	213" (5410mm)
Min/Max Four Wheel Alignment	63" / 162" (1600mm/4115mm)	68" / 198" (1727mm/5029mm)**
Overall Length	275-3/16" (6990mm)	311-3/16" (7904mm)
Overall Width	137-3/4" (3498mm)	
Width Inside Columns	121-1/2" (3086mm)	
Length Between Columns	212" (5385mm)	248" (6299mm)
Overall Height	77-3/4" (1975mm)	
Runway Width	22" (559mm)	
Runway Height	7-1/2" (191mm)	
Width Between Runways (Min/Max)	43" / 46" (1092mm/1168mm)	
Rise Time	105 seconds	
Voltage***	208V/230V	
Motor	2HP	
Minimum Bay Size	16' x 27' (4877mm x 8230mm)	16' x 30' (4877mm x 9144mm)



996 Industrial Drive
Madison, IN 47250

Phone: 800.423.1722
Fax: 812.273.7329



www.forwardlift.com



Lit# Forward CRA18 CUTSHEET.2021.11 ©2021 Vehicle Service Group™ All rights reserved.

Unless otherwise indicated, Forward Lift, Vehicle Service Group™, Dover and all other trademarks are property of Dover Corporation and its affiliates.

Printed in the U.S.A.

*Lifts available in blue and red **Runway radius pockets and slip plates must be reinstalled to fit smaller wheelbases ***Single phase standard Specifications subject to change without notice or liability.